

Technical Product Sheet

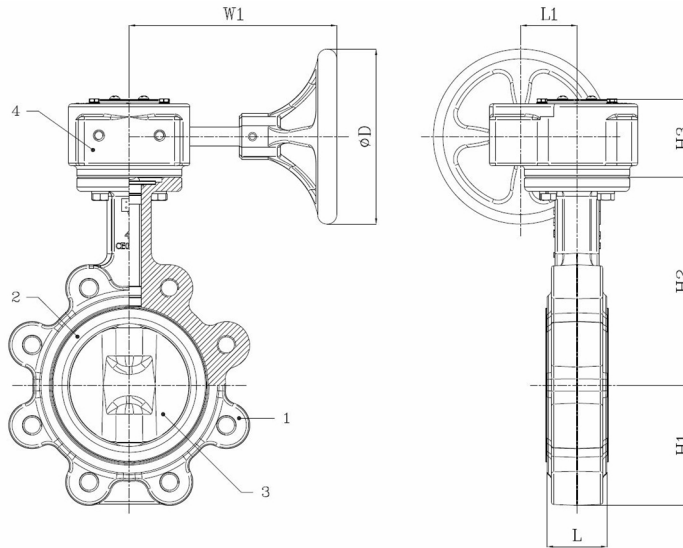
BV12-2466B-PN10/PN16 - Gearbox

Lug type butterfly valve, mounting between flanges PN10/PN16, with gearbox

Face to Face Standard: EN 558-1 Table 1 series 20



Item Number	Belven Ref.
121026B3050	BV12-2466B-PN16-DN050 - GEARBOX
121026B3065	BV12-2466B-PN16-DN065 - GEARBOX
121026B3080	BV12-2466B-PN16-DN080 - GEARBOX
121026B3100	BV12-2466B-PN16-DN100 - GEARBOX
121026B3125	BV12-2466B-PN16-DN125 - GEARBOX
121026B3150	BV12-2466B-PN16-DN150 - GEARBOX



DN/Size	L	H1	H2	H3	L1	D	W1	Press.Cl.	Weight(kg)
DN050 (2")	43	71,4	142,7	56,5	45	150	173,5	PN16	6.90
DN065 (2 1/2")	46	77,8	155,4	56,5	45	150	173,5	PN16	7.50
DN080 (3")	46	89	161,8	56,5	45	150	173,5	PN16	8.20
DN100 (4")	52	102	178	56,5	45	150	170	PN16	11.60
DN125 (5")	56	123	190,5	56,5	45	150	170	PN16	13.60
DN150 (6")	56	138	205,2	56,5	45	150	170	PN16	15.30

Item 1	Item 2	Item 3	Item 4
Body Material	Seat Material	Disc Material	Actuator Material
Ductile iron : GGG40 + Epoxy coating	NBR	Stainless steel : CF8M	Cast iron

Belven N.V.

Blokhuisstraat 24 | 2800 Mechelen | Belgium

Tel. 015 29 40 70 | Fax. 015 20 14 13 | info@belven.com | www.belven.com

We keep the right to change the mentioned dimensions, weights, values and materials at any time without prior or direct notice.