

Technical Product Sheet

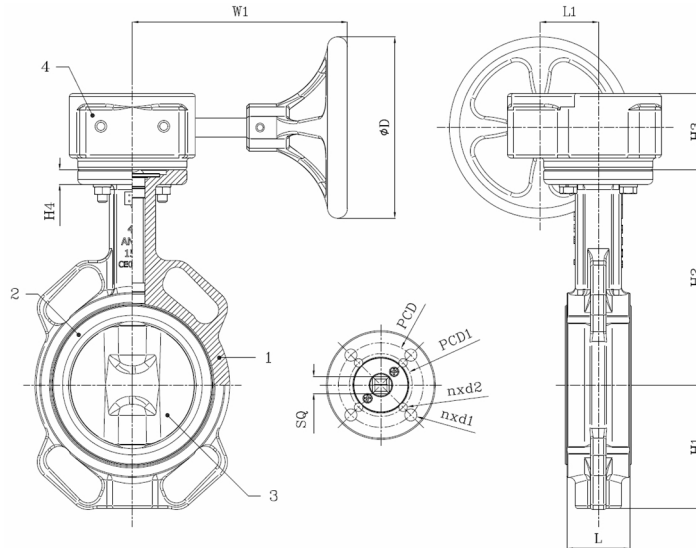
BV10-2366V-PN10/PN16/A150 - Gearbox

Wafer type butterfly valve, mounting between flanges PN10/PN16/A150, with gearbox

Face to Face Standard: EN 558-1 Table 1 series 20



Item Number	Belven Ref.
101026V3050	BV10-2366V-PN16-DN050 - GEARBOX
101026V3065	BV10-2366V-PN16-DN065 - GEARBOX
101026V3080	BV10-2366V-PN16-DN080 - GEARBOX
101026V3100	BV10-2366V-PN16-DN100 - GEARBOX
101026V3125	BV10-2366V-PN16-DN125 - GEARBOX
101026V3150	BV10-2366V-PN16-DN150 - GEARBOX
101026V3200	BV10-2366V-PN16-DN200 - GEARBOX
101026V3250	BV10-2366V-PN16-DN250 - GEARBOX
101026V3300	BV10-2366V-PN16-DN300 - GEARBOX



DN/Size	L	H1	H2	H3	L1	SQ	ISO	PCD	n x d1	PCD1	n x d2	D	W1	Press.Cl.	Weight(kg)
DN050 (2")	43	71,4	142,7	56,5	45	11	F05/F07	70	4 x d10	50	4 x d7	150	173,5	PN16	8.50
DN065 (2 1/2")	46	77,8	155,4	56,5	45	11	F05/F07	70	4 x d10	50	4 x d7	150	173,5	PN16	9.20
DN080 (3")	46	89	161,8	56,5	45	11	F05/F07	70	4 x d10	50	4 x d7	150	173,5	PN16	9.60
DN100 (4")	52	102	178	56,5	45	14	F07	70	4 x d10			150	170	PN16	11.10
DN125 (5")	56	123	190,5	56,5	45	14	F07	70	4 x d10			150	170	PN16	13.00
DN150 (6")	56	138	205,2	56,5	45	14	F07	70	4 x d10			150	170	PN16	13.80
DN200 (8")	60	168	237	80,5	63	17	F10	102	4 x d12			300	237	PN16	22.50
DN250 (10")	68	207	268,3	80,5	63	22	F10	102	4 x d12			300	237	PN16	29.00
DN300 (12")	78	243,5	308,5	80,5	78	27	F12	125	4 x d14			300	225	PN16	40.50

Item 1	Item 2	Item 3	Item 4
Body Material	Seat Material	Disc Material	Actuator Material
Cast iron : GG25 + Epoxy coating	VITON	Stainless steel : CF8M	Cast iron

Belven N.V.

Blokhuisstraat 24 | 2800 Mechelen | Belgium

Tel. 015 29 40 70 | Fax. 015 20 14 13 | info@belven.com | www.belven.com

We keep the right to change the mentioned dimensions, weights, values and materials at any time without prior or direct notice.