

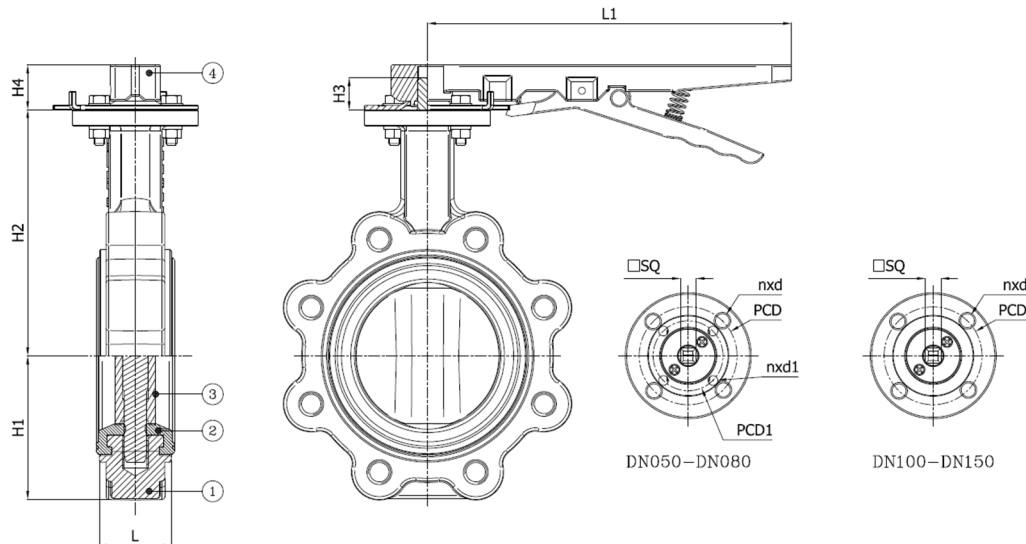
BV12S-2466VB-PN10/PN16 - Hendel

Lug type vlinderklep, te monteren tussen flenzen PN10/PN16, met vergrendelbare hendel
Norm Bouwlenge: EN 558-1 Tabel 1 serie 20

Zitting uit FPM (Viton BIO), geschikt voor stoom, biodiesel, zuren..., max. werkdruk 16 bar, -5°C tot 200°C



| Artikelnummer | Belven Ref. |
|------------------|---------------------------------|
| 12S003047VB10050 | BV12S-2466VB-PN16-DN050 - LEVER |
| 12S003047VB10065 | BV12S-2466VB-PN16-DN065 - LEVER |
| 12S003047VB10080 | BV12S-2466VB-PN16-DN080 - LEVER |
| 12S003047VB10100 | BV12S-2466VB-PN16-DN100 - LEVER |
| 12S003047VB10125 | BV12S-2466VB-PN16-DN125 - LEVER |
| 12S003047VB10150 | BV12S-2466VB-PN16-DN150 - LEVER |



| DN/Inch | L | H1 | H2 | H3 | H4 | L1 | SQ | ISO | PCD | n x d1 | PCD1 | ISO1 | n x d | Drukl. | Gewicht(kg) |
|----------------|----|-------|-------|----|----|-----|----|-----|-----|---------|------|------|--------|--------|-------------|
| DN050 (2") | 43 | 64 | 140,5 | 22 | 29 | 260 | 11 | F05 | 50 | 4 x d10 | 70 | F07 | 4 x d7 | PN16 | 4,70 |
| DN065 (2 1/2") | 46 | 71,4 | 152,5 | 22 | 29 | 260 | 11 | F05 | 50 | 4 x d10 | 70 | F07 | 4 x d7 | PN16 | 5,20 |
| DN080 (3") | 46 | 94 | 157,5 | 22 | 29 | 260 | 11 | F05 | 50 | 4 x d10 | 70 | F07 | 4 x d7 | PN16 | 6,90 |
| DN100 (4") | 52 | 108,5 | 176 | 22 | 29 | 260 | 14 | F07 | 70 | 4 x d10 | | | | PN16 | 8,50 |
| DN125 (5") | 56 | 119 | 191 | 22 | 29 | 260 | 14 | F07 | 70 | 4 x d10 | | | | PN16 | 12,00 |
| DN150 (6") | 56 | 136 | 202,5 | 22 | 29 | 260 | 14 | F07 | 70 | 4 x d10 | | | | PN16 | 12,70 |

| Item 1 | Item 2 | Item 3 | Item 4 |
|--|--------------------------|---------------------------|----------------------------|
| Materiaal Huis | Materiaal Zitting | Materiaal Klepblad | Materiaal Bediening |
| Nodulair gietijzer : GGG40 + Epoxy coating | FPM-BIO | Roestvrijstaal : CF8M | Gietijzer |