

Technical Product Sheet



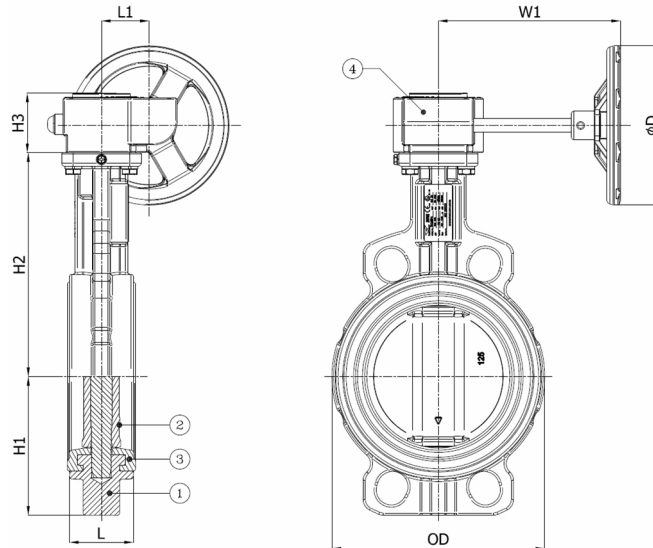
BV10NPA-2366V-PN10/PN16 - Aluminium Gearbox **belven**[®]

Wafer type butterfly valve, mounting between flanges PN10/PN16, with aluminium gearbox

Face to Face Standard: EN 558-1 Table 1 series 20



Item Number	Belven Ref.
10HCD116V5A0050	BV10NPA-2366V-PN10-DN050 - ALU GEARBOX
10HCD116V5A0065	BV10NPA-2366V-PN10-DN065 - ALU GEARBOX
10HCD116V5A0080	BV10NPA-2366V-PN10-DN080 - ALU GEARBOX
10HCD116V5A0100	BV10NPA-2366V-PN10-DN100 - ALU GEARBOX
10HCD116V5A0125	BV10NPA-2366V-PN10-DN125 - ALU GEARBOX
10HCD116V5A0150	BV10NPA-2366V-PN10-DN150 - ALU GEARBOX



DN/Size	L	H1	H2	H3	OD	L1	D	W1	Press.Cl.	Weight(kg)
DN050 (2")	43	65	143	50	96	42	140	160	PN10	4.20
DN065 (2 1/2")	46	71	155	50	110	42	140	160	PN10	5.00
DN080 (3")	46	77	162	50	124	42	140	160	PN10	5.20
DN100 (4")	52	107	181	50	148	42	140	160	PN10	6.50
DN125 (5")	56	122	197	50	180	42	140	160	PN10	8.50
DN150 (6")	56	150	210	50	206	42	140	160	PN10	9.70

Item 1	Item 2	Item 3	Item 4
Body Material	Seat Material	Disc Material	Actuator Material
Cast iron : GG25 + Epoxy coating	VITON	Stainless steel : CF8M	Aluminium

Belven N.V.

Blokhuisstraat 24 | 2800 Mechelen | Belgium

Tel. 015 29 40 70 | Fax. 015 20 14 13 | info@belven.com | www.belven.com

We keep the right to change the mentioned dimensions, weights, values and materials at any time without prior or direct notice.