

BV10S-2366V-PN10/PN16/A150 - Hendel

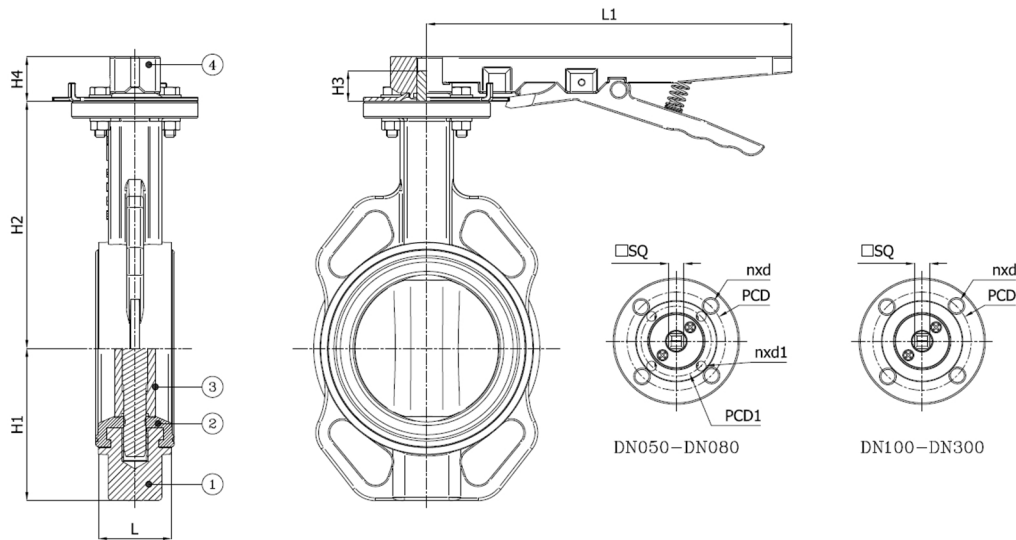
Wafer type vlinderklep, te monteren tussen flenzen PN10/PN16/A150, met vergendelbare hendel

Norm Bouwlenge: EN 558-1 Tabel 1 serie 20

Zitting uit FPM(Viton), max. werkdruk 16 bar, -5°C tot 200°C



Artikelnummer	Belven Ref.
10S003037V10050	BV10S-2366V-PN16-DN050 - LEVER
10S003037V10065	BV10S-2366V-PN16-DN065 - LEVER
10S003037V10080	BV10S-2366V-PN16-DN080 - LEVER
10S003037V10100	BV10S-2366V-PN16-DN100 - LEVER
10S003037V10125	BV10S-2366V-PN16-DN125 - LEVER
10S003037V10150	BV10S-2366V-PN16-DN150 - LEVER
10S003037V10200	BV10S-2366V-PN16-DN200 - LEVER
10S003037V10250	BV10S-2366V-PN16-DN250 - LEVER
10S003037V10300	BV10S-2366V-PN16-DN300 - LEVER



DN/Inch	L	H1	H2	H3	H4	L1	SQ	ISO	PCD	n x d1	PCD1	ISO1	n x d	Drukl.	Gewicht(kg)
DN050 (2")	43	64	140,5	22	29	260	11	F05	50	4 x d10	70	F07	4 x d7	PN16	4,00
DN065 (2 1/2")	46	71,4	152,5	22	29	260	11	F05	50	4 x d10	70	F07	4 x d7	PN16	4,70
DN080 (3")	46	94	157,5	22	29	260	11	F05	50	4 x d10	70	F07	4 x d7	PN16	5,10
DN100 (4")	52	108,5	176	22	29	260	14	F07	70	4 x d10				PN16	6,60
DN125 (5")	56	119	191	22	29	260	14	F07	70	4 x d10				PN16	8,40
DN150 (6")	56	136	202,5	22	29	260	14	F07	70	4 x d10				PN16	9,90
DN200 (8")	60	165	243,5	34,5	45	350	17	F10	102	4 x d12				PN16	18,50
DN250 (10")	68	202	273	34,5	45	350	22	F10	102	4 x d12				PN16	25,00
DN300 (12")	78	235	311	34,5	45	350	27	F12	125	4 x d14				PN16	36,00

Item 1	Item 2	Item 3	Item 4
Materiaal Huis	Materiaal Zitting	Materiaal Klepblad	Materiaal Bediening
Gietijzer : GG25 + Epoxy coating	FPM	Roestvrijstaal : CF8M	Gietijzer