

Technical Product Sheet

BV10-2366E-PN10/PN16/A150 - Double Acting

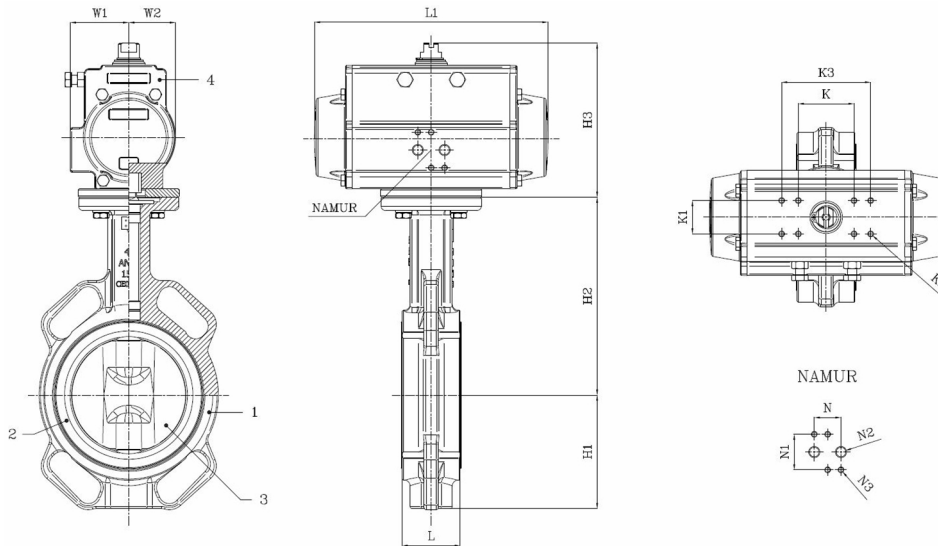
Wafer type butterfly valve, mounting between flanges PN10/PN16/A150, with double acting actuator

Face to Face Standard: EN 558-1 Table 1 series 20

The actuator is selected for 20°C water with a pressure drop of 6 bar with 6 bar supply air pressure and minimum 1 cycle per week



| Item Number | Belven Ref. |
|----------------|-------------------------------|
| 101026EDA20050 | BV10-2366E-PN16-DN050 - DA052 |
| 101026EDA20065 | BV10-2366E-PN16-DN065 - DA052 |
| 101026EDA20080 | BV10-2366E-PN16-DN080 - DA063 |
| 101026EDA20100 | BV10-2366E-PN16-DN100 - DA075 |
| 101026EDA20125 | BV10-2366E-PN16-DN125 - DA075 |
| 101026EDA20150 | BV10-2366E-PN16-DN150 - DA100 |
| 101026EDA20200 | BV10-2366E-PN16-DN200 - DA115 |
| 101026EDA20250 | BV10-2366E-PN16-DN250 - DA125 |
| 101026EDA20300 | BV10-2366E-PN16-DN300 - DA140 |



| DN/Size | L | H1 | H2 | H3 | L1 | W1 | W2 | K | K3 | K1 | K2 | N | N1 | N2 | N3 | Press.Cl. | Weight(kg) |
|----------------|----|-------|-------|-------|-----|------|------|----|-----|----|----|----|----|------|----|-----------|------------|
| DN050 (2") | 43 | 71,4 | 142,7 | 113,5 | 141 | 41 | 30 | 80 | | 30 | M5 | 24 | 32 | 1/8" | M5 | PN16 | 3.90 |
| DN065 (2 1/2") | 46 | 77,8 | 155,4 | 113,5 | 141 | 41 | 30 | 80 | | 30 | M5 | 24 | 32 | 1/8" | M5 | PN16 | 4.60 |
| DN080 (3") | 46 | 89 | 161,8 | 125 | 164 | 45 | 35,5 | 80 | | 30 | M5 | 24 | 32 | 1/8" | M5 | PN16 | 5.50 |
| DN100 (4") | 52 | 102 | 178 | 137 | 210 | 52,5 | 42 | 80 | | 30 | M5 | 24 | 32 | 1/8" | M5 | PN16 | 8.20 |
| DN125 (5") | 56 | 123 | 190,5 | 137 | 210 | 52,5 | 42 | 80 | | 30 | M5 | 24 | 32 | 1/8" | M5 | PN16 | 10.10 |
| DN150 (6") | 56 | 138 | 205,2 | 164,8 | 275 | 68 | 55 | 80 | | 30 | M5 | 24 | 32 | 1/4" | M5 | PN16 | 13.60 |
| DN200 (8") | 60 | 168 | 237 | 205,9 | 333 | 73 | 64 | 80 | 130 | 30 | M5 | 24 | 32 | 1/4" | M5 | PN16 | 22.70 |
| DN250 (10") | 68 | 207 | 268,3 | 209,4 | 372 | 80 | 68 | 80 | 130 | 30 | M5 | 24 | 32 | 1/4" | M5 | PN16 | 30.30 |
| DN300 (12") | 78 | 243,5 | 308,5 | 232 | 435 | 87,5 | 76,5 | 80 | 130 | 30 | M5 | 24 | 32 | 1/4" | M5 | PN16 | 45.10 |

| Item 1 | Item 2 | Item 3 | Item 4 |
|----------------------------------|---------------|------------------------|--------------------|
| Body Material | Seat Material | Disc Material | Actuator Material |
| Cast iron : GG25 + Epoxy coating | EPDM | Stainless steel : CF8M | Extruded aluminium |

Belven N.V.

Blokhuisstraat 24 | 2800 Mechelen | Belgium

Tel. 015 29 40 70 | Fax. 015 20 14 13 | info@belven.com | www.belven.com

We keep the right to change the mentioned dimensions, weights, values and materials at any time without prior or direct notice.