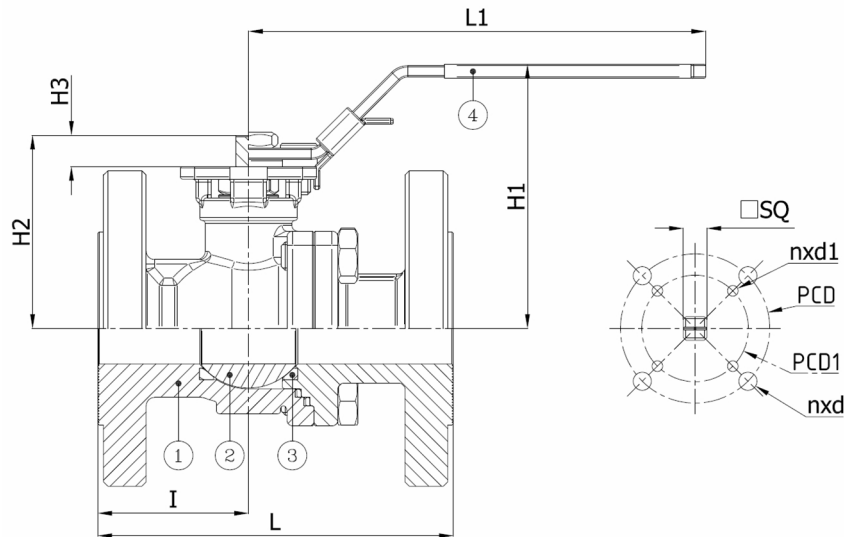


BV4S-6666T-A150 - Hendel

Kogelkraan, volle doorlaat, tweedelig huis, geflensd ANSI 150lbs, met hendel
Norm Bouwlengte: ANSI B16.10



| Artikelnummer | Belven Ref. |
|---------------|-------------------------------|
| 04S7A77F1025 | BV4S-6666T-A150-DN025 - LEVER |
| 04S7A77F1040 | BV4S-6666T-A150-DN040 - LEVER |
| 04S7A77F1050 | BV4S-6666T-A150-DN050 - LEVER |
| 04S7A77F1080 | BV4S-6666T-A150-DN080 - LEVER |
| 04S7A77F1100 | BV4S-6666T-A150-DN100 - LEVER |



| DN/Inch | L | H1 | H2 | H3 | I | L1 | SQ | ISO | PCD | n x d1 | PCD1 | n x d | Drukkl. | Gewicht(kg) |
|----------------|-----|-----|-------|------|------|-----|----|---------|-----|---------|------|----------|---------|-------------|
| DN025 (1") | 127 | 94 | 69 | 11 | 53 | 160 | 9 | F05 | 50 | | | 4 x d7 | A150 | 3,70 |
| DN040 (1 1/2") | 165 | 119 | 94 | 14 | 52 | 240 | 11 | F05/F07 | 70 | 4 x M6 | 50 | 4 x d8,5 | A150 | 6,70 |
| DN050 (2") | 178 | 128 | 103 | 13,5 | 57,5 | 240 | 11 | F05/F07 | 70 | 4 x M6 | 50 | 4 x d8,5 | A150 | 9,30 |
| DN080 (3") | 203 | 163 | 137,5 | 17,5 | 75,5 | 320 | 14 | F07/F10 | 102 | 4 x M10 | 70 | 4 x d11 | A150 | 17,20 |
| DN100 (4") | 229 | 177 | 153,5 | 19 | 80 | 380 | 17 | F07/F10 | 102 | 4 x M10 | 70 | 4 x d11 | A150 | 23,40 |

| Item 1 | Item 2 | Item 3 | Item 4 |
|--------------------------------|--------------------------------------|-------------------|---------------------|
| Materiaal Huis | Materiaal Kogel | Materiaal Zitting | Materiaal Bediening |
| Roestvrijstaal : 1.4408 (CF8M) | Roestvrijstaal : A182-F316/A351-CF8M | PTFE | Roestvrijstaal |