

Technical Product Sheet

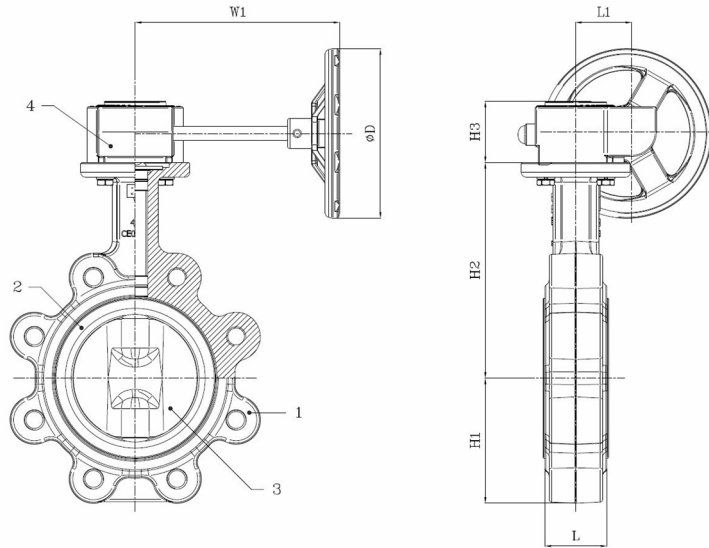
BV12-2425E-PN10/PN16 - Aluminium Gearbox

Lug type butterfly valve, mounting between flanges PN10/PN16, with aluminium gearbox

Face to Face Standard: EN 558-1 Table 1 series 20



Item Number	Belven Ref.
121023E5A050	BV12-2425E-PN16-DN050 - ALU GEARBOX
121023E5A065	BV12-2425E-PN16-DN065 - ALU GEARBOX
121023E5A080	BV12-2425E-PN16-DN080 - ALU GEARBOX
121023E5A100	BV12-2425E-PN16-DN100 - ALU GEARBOX
121023E5A125	BV12-2425E-PN16-DN125 - ALU GEARBOX
121023E5A150	BV12-2425E-PN16-DN150 - ALU GEARBOX



DN/Size	L	H1	H2	H3	L1	D	W1	Press.Cl.	Weight(kg)
DN050 (2")	43	71,4	142,7	52,5	42	140	168,5	PN16	4.60
DN065 (2 1/2")	46	77,8	155,4	52,5	42	140	168,5	PN16	5.40
DN080 (3")	46	89	161,8	52,5	42	140	168,5	PN16	5.90
DN100 (4")	52	102	178	52,5	42	140	168,5	PN16	8.60
DN125 (5")	56	123	190,5	52,5	42	140	168,5	PN16	10.20
DN150 (6")	56	138	205,2	52,5	42	140	168,5	PN16	10.60

Item 1	Item 2	Item 3	Item 4
Body Material	Seat Material	Disc Material	Actuator Material
Ductile iron : GGG40 + Epoxy coating	EPDM	Nickel plated : GGG40 + Ni	Aluminium

Belven N.V.

Blokhuisstraat 24 | 2800 Mechelen | Belgium

Tel. 015 29 40 70 | Fax. 015 20 14 13 | info@belven.com | www.belven.com

We keep the right to change the mentioned dimensions, weights, values and materials at any time without prior or direct notice.