

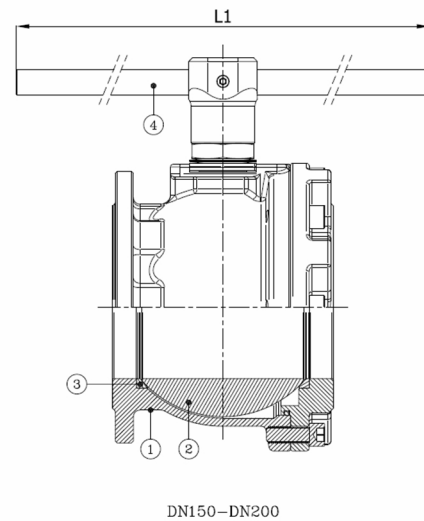
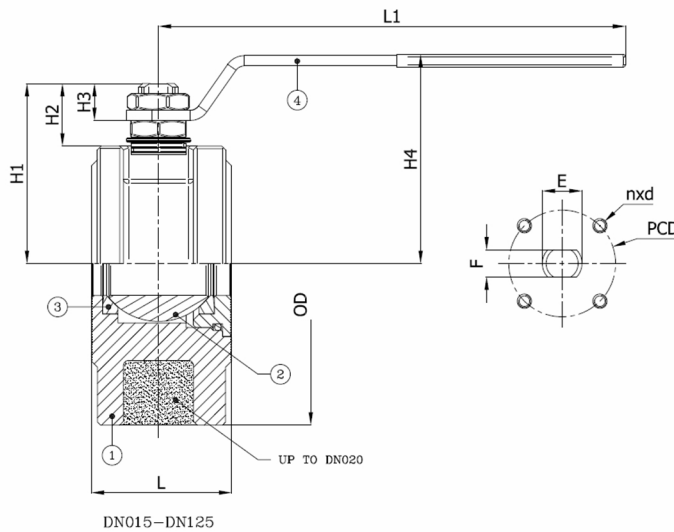
# Technical Product Sheet

## BV8-6666T-PN16

Ball valve, full bore, wafer type body, to be mounted between flanges PN16, with lever  
Face to Face Standard: Factory standard



Item Number	Belven Ref.
083077T1015	BV8-6666T-PN16-DN015
083077T1020	BV8-6666T-PN16-DN020
083077T1025	BV8-6666T-PN16-DN025
083077T1032	BV8-6666T-PN16-DN032
083077T1040	BV8-6666T-PN16-DN040
083077T1050	BV8-6666T-PN16-DN050



DN/Size	L	H1	H2	H3	H4	L1	OD	E	F	ISO	PCD	n x d	Press.Cl.	Weight(kg)
DN015 (1/2")	35	47	15,5	9	65	131	90	10	7	F03	32	4 x M5	PN16	1.30
DN020 (3/4")	40	51,5	15,5	9	69	131	100	10	7	F03	32	4 x M5	PN16	1.90
DN025 (1")	46	61	17	11	80	174	110	12	8	F04	42	4 x M5	PN16	2.20
DN032 (1 1/4")	54	64,5	15	11	84	174	140	12	8	F04	42	4 x M5	PN16	3.30
DN040 (1 1/2")	63,5	78	24,5	13	102	250	150	16	10	F05	50	4 x M6	PN16	4.20
DN050 (2")	82	87	25	13	111	250	165	16	10	F05	50	4 x M6	PN16	6.10

Item 1	Item 2	Item 3	Item 4
Body Material	Ball Material	Seat Material	Actuator Material
Stainless steel : A182-F316 / A351 CF8M	Stainless steel : A182-F316 / A351 CF8M	PTFE	Carbon steel

Belven N.V.

Blokhuisstraat 24 | 2800 Mechelen | Belgium  
Tel. 015 29 40 70 | Fax. 015 20 14 13 | info@belven.com | www.belven.com

We keep the right to change the mentioned dimensions, weights, values and materials at any time without prior or direct notice.