

Technical Product Sheet

BV12S-2466FC-PN10/PN16 - Lever

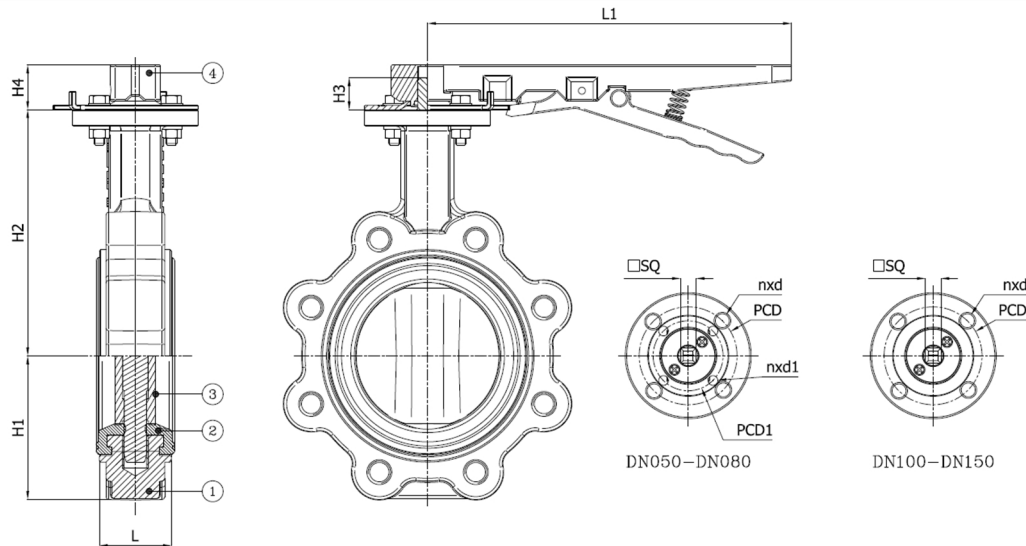
Lug type butterfly valve, mounting between flanges PN10/PN16, with lockable lever

Face to Face Standard: EN 558-1 Table 1 series 20

AB/FC seat, suitable for dry abrasive media, max. operating pressure 16 bar, -10°C to 70°C



| Item Number | Belven Ref. |
|------------------|---------------------------------|
| 12S003047FC10050 | BV12S-2466FC-PN16-DN050 - LEVER |
| 12S003047FC10065 | BV12S-2466FC-PN16-DN065 - LEVER |
| 12S003047FC10080 | BV12S-2466FC-PN16-DN080 - LEVER |
| 12S003047FC10100 | BV12S-2466FC-PN16-DN100 - LEVER |
| 12S003047FC10125 | BV12S-2466FC-PN16-DN125 - LEVER |
| 12S003047FC10150 | BV12S-2466FC-PN16-DN150 - LEVER |



| DN/Size | L | H1 | H2 | H3 | H4 | L1 | SQ | ISO | PCD | n x d1 | PCD1 | ISO1 | n x d | Press.Cl. | Weight(kg) |
|----------------|----|-------|-------|----|----|-----|----|-----|-----|---------|------|------|--------|-----------|------------|
| DN050 (2") | 43 | 64 | 140,5 | 22 | 29 | 260 | 11 | F05 | 50 | 4 x d10 | 70 | F07 | 4 x d7 | PN16 | 4.70 |
| DN065 (2 1/2") | 46 | 71,4 | 152,5 | 22 | 29 | 260 | 11 | F05 | 50 | 4 x d10 | 70 | F07 | 4 x d7 | PN16 | 5.20 |
| DN080 (3") | 46 | 94 | 157,5 | 22 | 29 | 260 | 11 | F05 | 50 | 4 x d10 | 70 | F07 | 4 x d7 | PN16 | 6.90 |
| DN100 (4") | 52 | 108,5 | 176 | 22 | 29 | 260 | 14 | F07 | 70 | 4 x d10 | | | | PN16 | 8.50 |
| DN125 (5") | 56 | 119 | 191 | 22 | 29 | 260 | 14 | F07 | 70 | 4 x d10 | | | | PN16 | 12.00 |
| DN150 (6") | 56 | 136 | 202,5 | 22 | 29 | 260 | 14 | F07 | 70 | 4 x d10 | | | | PN16 | 12.70 |

| Item 1 | Item 2 | Item 3 | Item 4 |
|--------------------------------------|------------------------|------------------------|-------------------|
| Body Material | Seat Material | Disc Material | Actuator Material |
| Ductile iron : GGG40 + Epoxy coating | FC - Styrene-Butadiene | Stainless steel : CF8M | Malleable iron |

Belven N.V.

Blokhuisstraat 24 | 2800 Mechelen | Belgium
 Tel. 015 29 40 70 | Fax. 015 20 14 13 | info@belven.com | www.belven.com

We keep the right to change the mentioned dimensions, weights, values and materials at any time without prior or direct notice.