

# Technical Product Sheet

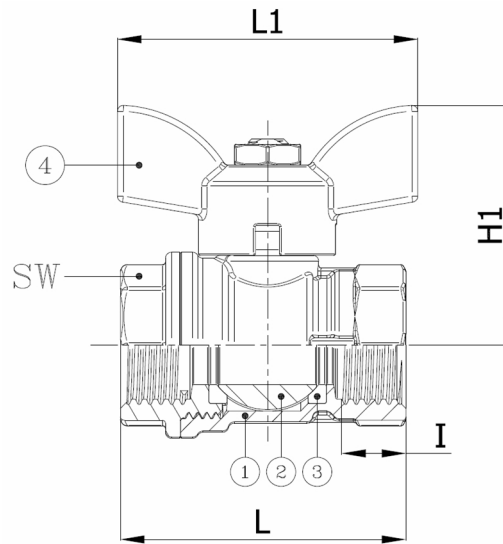
## BV2-1820T-BSP (F/F)

Brass 2-way ball valve, full bore, threaded F/F ISO228/1-G, with T-lever

Face to Face Standard: Factory standard



Item Number	Belven Ref.
024110T4008	BV2-1820T-BSP(F/F) - 1/4" - T-LEVER
024110T4010	BV2-1820T-BSP(F/F) - 3/8" - T-LEVER
024110T4015	BV2-1820T-BSP(F/F) - 1/2" - T-LEVER
024110T4020	BV2-1820T-BSP(F/F) - 3/4" - T-LEVER
024110T4025	BV2-1820T-BSP(F/F) - 1" - T-LEVER



DN/Size	L	H1	I	L1	SW	Press.Cl.	Weight(kg)
DN008 (1/4")	51,5	42	11	50	20	PN64	0.14
DN010 (3/8")	51,5	42	11,4	50	20	PN64	0.12
DN015 (1/2")	47,5	40,5	12	50	25	PN50	0.14
DN020 (3/4")	53	50,5	12	64	31	PN40	0.24
DN025 (1")	65,5	53	14,5	64	38	PN40	0.37

Item 1	Item 2	Item 3	Item 4
Body Material	Ball Material	Seat Material	Actuator Material
Brass : CW617N UNI EN 12420	Brass : CW617N UNI EN 12420	PTFE	Aluminium alloy EN AC-46100

Belven N.V.

Blokhuisstraat 24 | 2800 Mechelen | Belgium

Tel. 015 29 40 70 | Fax. 015 20 14 13 | [info@belven.com](mailto:info@belven.com) | [www.belven.com](http://www.belven.com)

We keep the right to change the mentioned dimensions, weights, values and materials at any time without prior or direct notice.