

Technical Product Sheet

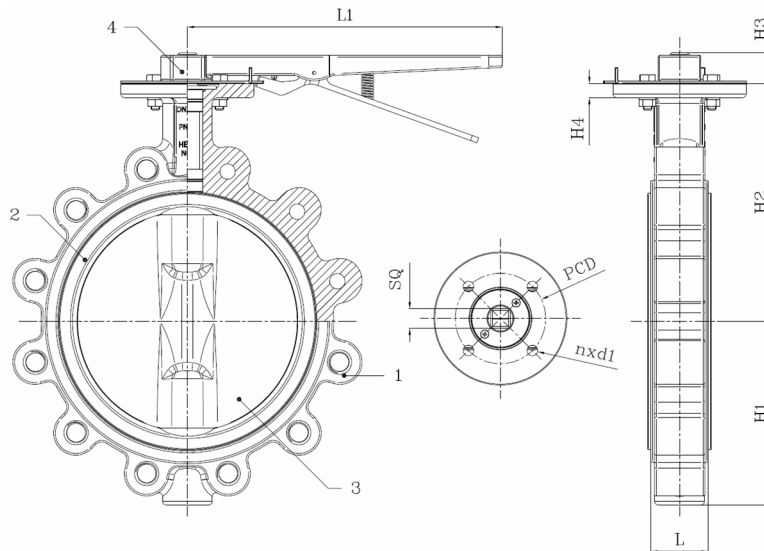
BV12-2425B-PN10 - Lever

Lug type butterfly valve, mounting between flanges PN10, with lever

Face to Face Standard: EN 558-1 Table 1 series 20



Item Number	Belven Ref.
121023B1200	BV12-2425B-PN10-DN200 - LEVER
121023B1250	BV12-2425B-PN10-DN250 - LEVER
121023B1300	BV12-2425B-PN10-DN300 - LEVER



DN/Size	L	H1	H2	H3	H4	L1	Press.Cl.	Weight(kg)
DN200 (8")	60	168	237	34,5	16	356	PN10	18.00
DN250 (10")	68	207	268,3	34,5	16	356	PN10	31.50
DN300 (12")	78	243,5	308,5	34,5	16	356	PN10	46.50

Item 1	Item 2	Item 3	Item 4
Body Material	Seat Material	Disc Material	Actuator Material
Ductile iron : GGG40 + Epoxy coating	NBR	Nickel plated : GGG40 + Ni	malleable iron

Belven N.V.

Blokhuisstraat 24 | 2800 Mechelen | Belgium

Tel. 015 29 40 70 | Fax. 015 20 14 13 | info@belven.com | www.belven.com

We keep the right to change the mentioned dimensions, weights, values and materials at any time without prior or direct notice.