

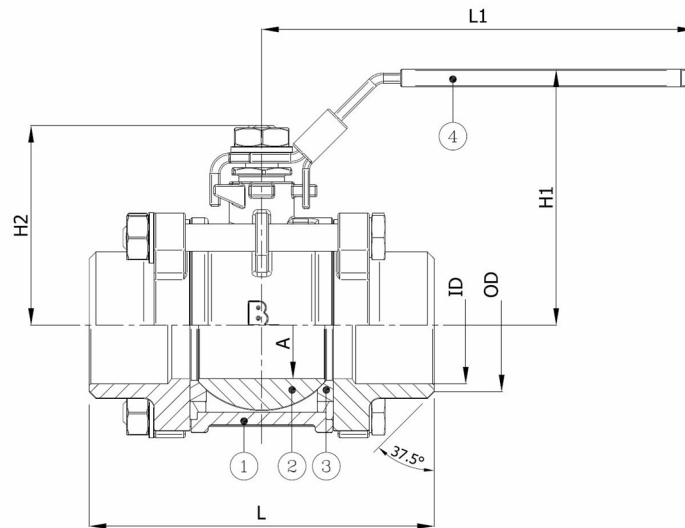
# Technical Product Sheet

## BV3-2466T-LD-BW

Ball valve with 3-pce body, full bore, BW welded ends ASME B16.25 Sched.40, with lockable lever  
Face to Face Standard: Factory standard



Item Number	Belven Ref.
036856T1015-A	BV3-2466T-LD-BW - 1/2" - LEVER
036856T1020-A	BV3-2466T-LD-BW - 3/4" - LEVER
036856T1025-A	BV3-2466T-LD-BW - 1" - LEVER
036856T1032-A	BV3-2466T-LD-BW - 1 1/4" - LEVER
036856T1040-A	BV3-2466T-LD-BW - 1 1/2" - LEVER
036856T1050-A	BV3-2466T-LD-BW - 2" - LEVER
036856T1065-A	BV3-2466T-LD-BW - 2 1/2" - LEVER
036856T1080-A	BV3-2466T-LD-BW - 3" - LEVER
036856T1100-A	BV3-2466T-LD-BW - 4" - LEVER



DN/Size	L	H1	H2	A	L1	ID	OD	Press.Cl.	Weight(kg)
DN015 (1/2")	65	57,5	38,4	15	80	16	17	1000 WOG	0.34
DN020 (3/4")	75	62,5	42,5	20	100	20	22	1000 WOG	0.58
DN025 (1")	85	72	50,2	24,5	125	24,5	28	1000 WOG	0.88
DN032 (1 1/4")	100	78,3	56,5	32	125	33,8	37	1000 WOG	1.30
DN040 (1 1/2")	110	88,6	68,7	38	160	39,8	43	1000 WOG	2.02
DN050 (2")	130	101,4	81,5	50	160	50,8	54	1000 WOG	3.27
DN065 (2 1/2")	170	130,6	113	65	230	65	77	1000 WOG	8.92
DN080 (3")	204	148,8	126,9	76,2	300	77,9	90	1000 WOG	15.18
DN100 (4")	230	174,25	137,3	100	400	102,2	107,7	1000 WOG	23.88

Item 1	Item 2	Item 3	Item 4
Body Material	Ball Material	Seat Material	Actuator Material
Carbon steel : A216 WCB	Stainless steel : A351 CF8/A182-F304	PTFE	Stainless steel : AISI 201 (EN1.4372)

Belven N.V.

Blokhuisstraat 24 | 2800 Mechelen | Belgium  
Tel. 015 29 40 70 | Fax. 015 20 14 13 | info@belven.com | www.belven.com

We keep the right to change the mentioned dimensions, weights, values and materials at any time without prior or direct notice.