

BV12-2425B-PN10 - Single Acting (AFC)

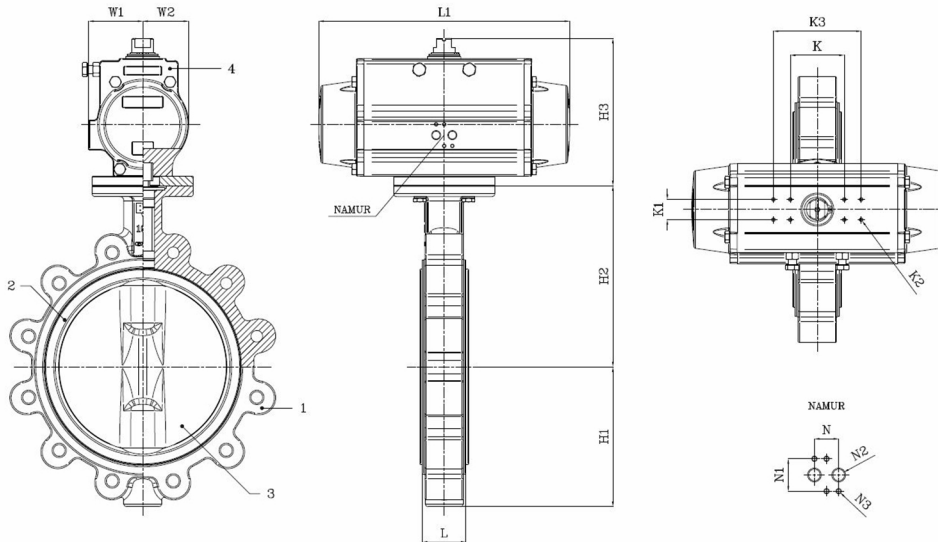
Lug type butterfly valve, mounting between flanges PN10, with spring return actuator AFC

Face to Face Standard: EN 558-1 Table 1 series 20

The actuator is selected for 20°C water with a pressure drop of 6 bar with 6 bar supply air pressure and minimum 1 cycle per week, at air pressure failure the springs will put the valve in closed position



Item Number	Belven Ref.
121023BSR20200	BV12-2425B-PN10-DN200 - SR160
121023BSR20250	BV12-2425B-PN10-DN250 - SR180
121023BSR20300	BV12-2425B-PN10-DN300 - SR200



DN/Size	L	H1	H2	H3	L1	W1	W2	K	K3	K1	K2	N	N1	N2	N3	Press.Cl.	Weight(kg)
DN200 (8")	60	168	237	256	500	99	87	80	130	30	M5	24	32	1/4"	M5	PN10	49.30
DN250 (10")	68	207	268,3	363	493	115	98	80	130	30	M5	24	32	1/4"	M5	PN10	74.90
DN300 (12")	78	243,5	308,5	408	578,5	109	108	80	130	30	M5	24	32	1/4"	M5	PN10	103.60

Item 1	Item 2	Item 3	Item 4
Body Material	Seat Material	Disc Material	Actuator Material
Ductile iron : GGG40 + Epoxy coating	NBR	Nickel plated : GGG40 + Ni	Extruded aluminium