

Technical Product Sheet

BV4S-6666T-PN10/PN16/PN40 - Double Acting

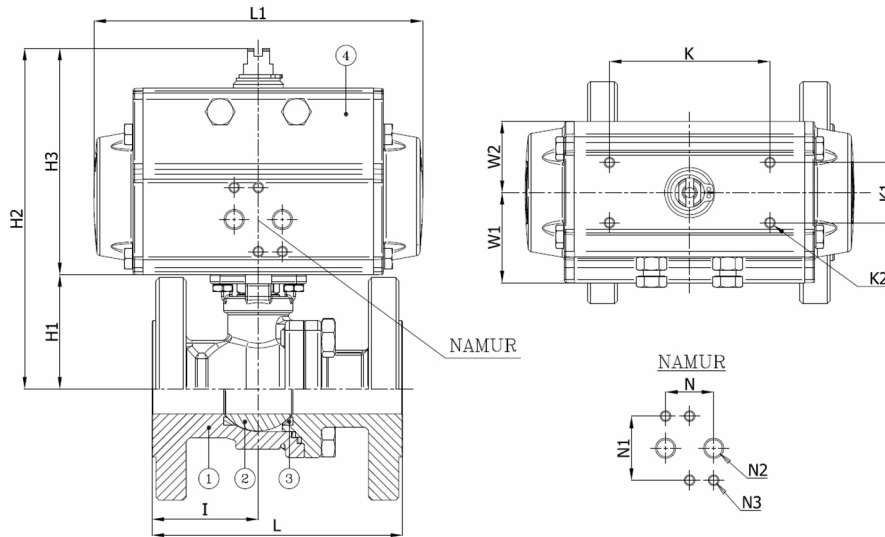
Ball valve, full bore, split body, flanged PN10/PN16/PN40, with double acting actuator

Face to Face Standard: EN 558-1 series 27

The actuator is selected for 25°C water with a pressure drop of 16 bar with 6 bar supply air pressure and minimum 1 cycle per week



Item Number	Belven Ref.
04S3D77DA2025	BV4S-6666T-PN40-DN025 - DA052
04S3D77DA2032	BV4S-6666T-PN40-DN032 - DA052
04S3D77DA2040	BV4S-6666T-PN40-DN040 - DA063
04S3D77DA2050	BV4S-6666T-PN40-DN050 - DA075



DN/Size	L	H1	H2	H3	I	L1	W1	W2	K	K1	K2	N	N1	N2	N3	Press.Cl.	Weight(kg)
DN025 (1")	125	58	159,5	101,5	53	141	41	30	80	30	M5	24	32	1/8"	M5	PN40	4.82
DN032 (1 1/4")	130	71	172,5	101,5	55	141	41	30	80	30	M5	24	32	1/8"	M5	PN40	6.12
DN040 (1 1/2")	140	80	193	113	52	164	45	35,5	80	30	M5	24	32	1/8"	M5	PN40	8.36
DN050 (2")	150	89,5	220,5	131	57,5	210	52,5	42	80	30	M5	24	32	1/8"	M5	PN40	12.08

Item 1	Item 2	Item 3	Item 4
Body Material	Ball Material	Seat Material	Actuator Material
Stainless steel : 1.4408 (CF8M)	Stainless steel : A182-F316/A351-CF8M	PTFE	Extruded aluminium