

Technical Product Sheet

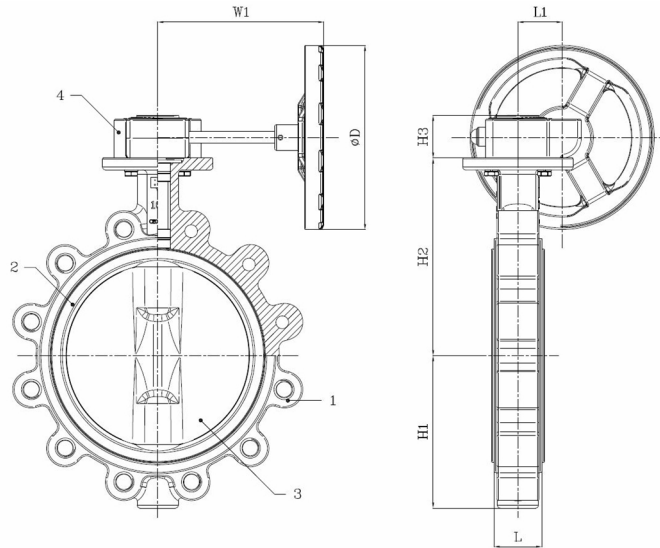
BV12-2466B-PN10 - Aluminium Gearbox

Lug type butterfly valve, mounting between flanges PN10, with aluminium gearbox

Face to Face Standard: EN 558-1 Table 1 series 20



Item Number	Belven Ref.
121026B5A200	BV12-2466B-PN10-DN200 - ALU GEARBOX
121026B5A250	BV12-2466B-PN10-DN250 - ALU GEARBOX
121026B5A300	BV12-2466B-PN10-DN300 - ALU GEARBOX



DN/Size	L	H1	H2	H3	L1	D	W1	Press.Cl.	Weight(kg)
DN200 (8")	60	168	237	60	60	250	225,5	PN10	17.50
DN250 (10")	68	207	268,3	60	60	250	225,5	PN10	33.10
DN300 (12")	78	243,5	308,5	87	81	400	263	PN10	58.20

Item 1	Item 2	Item 3	Item 4
Body Material	Seat Material	Disc Material	Actuator Material
Ductile iron : GGG40 + Epoxy coating	NBR	Stainless steel : CF8M	Aluminium

Belven N.V.

Blokhuisstraat 24 | 2800 Mechelen | Belgium

Tel. 015 29 40 70 | Fax. 015 20 14 13 | info@belven.com | www.belven.com

We keep the right to change the mentioned dimensions, weights, values and materials at any time without prior or direct notice.