

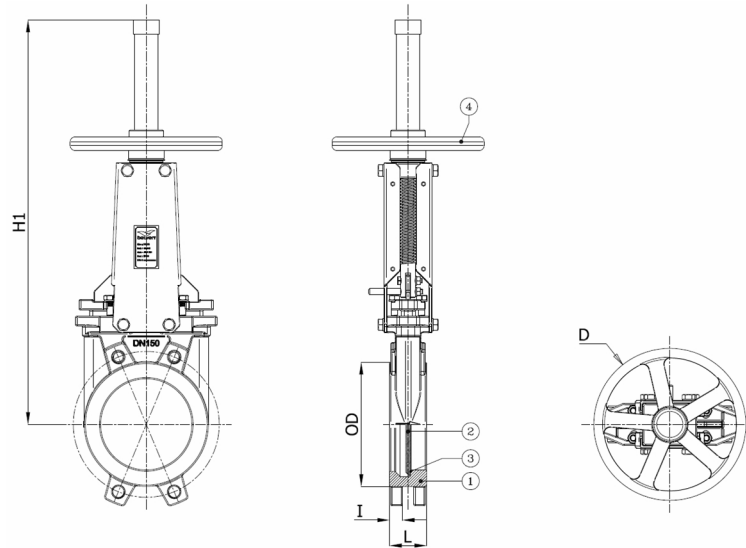
# Technical Product Sheet

## BV50-2463E-PN10 - Handwheel

Knife gate valve, uni-directional, to be mounted between flanges PN10, with rising stem and non-rising handwheel  
Face to Face Standard: Factory standard



Item Number	Belven Ref.
502046E20050	BV50-2463E-PN10 DN050 - HANDWHEEL
502046E20065	BV50-2463E-PN10 DN065 - HANDWHEEL
502046E20080	BV50-2463E-PN10 DN080 - HANDWHEEL
502046E20100	BV50-2463E-PN10 DN100 - HANDWHEEL
502046E20125	BV50-2463E-PN10 DN125 - HANDWHEEL
502046E20150	BV50-2463E-PN10 DN150 - HANDWHEEL
502046E20200	BV50-2463E-PN10 DN200 - HANDWHEEL
502046E20250	BV50-2463E-PN10 DN250 - HANDWHEEL
502046E20300	BV50-2463E-PN10 DN300 - HANDWHEEL



DN/Size	L	I	OD	H1	D	Press.Cl.	Weight(kg)
DN050 (2")	40	16	95	375	180	PN10	7.40
DN065 (2 1/2")	40	16	110	420	180	PN10	8.20
DN080 (3")	50	17	127	450	200	PN10	11.00
DN100 (4")	50	17	148	512	200	PN10	12.00
DN125 (5")	50	17	174	570	220	PN10	14.00
DN150 (6")	60	21	199	665	250	PN10	20.50
DN200 (8")	60	21	250	825	300	PN10	30.30
DN250 (10")	70	24	308	1000	350	PN10	46.00
DN300 (12")	70	24	360	1155	350	PN10	64.00

Item 1	Item 2	Item 3	Item 4
Body Material	Gate Material	Seat Material	Actuator Material
Ductile iron : GGG40	Stainless steel : AISI 304	EPDM	Ductile iron : GGG40

Belven N.V.

Blokhuisstraat 24 | 2800 Mechelen | Belgium  
Tel. 015 29 40 70 | Fax. 015 20 14 13 | [info@belven.com](mailto:info@belven.com) | [www.belven.com](http://www.belven.com)

We keep the right to change the mentioned dimensions, weights, values and materials at any time without prior or direct notice.