

# Technical Product Sheet

## BV12-2425E-PN10 - Electric 110/240V AC

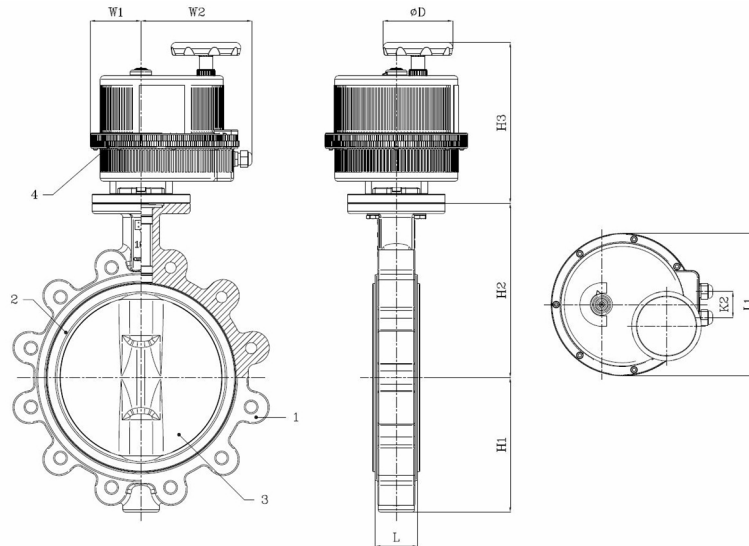
Lug type butterfly valve, mounting between flanges PN10, with electric actuator

Face to Face Standard: EN 558-1 Table 1 series 20

The actuator is selected for 20°C water with a pressure drop of 6 bar and minimum 1 cycle per week - 110/240V AC



Item Number	Belven Ref.
121023EXVV0200	BV12-2425E-PN16-DN200 - VB270 110/240VAC
121023EXVV0250	BV12-2425E-PN16-DN250 - VB350 110/240VAC



DN/Size	L	H1	H2	H3	L1	W2	W1	D	K2	Press.Cl.	Weight(kg)
DN200 (8")	60	168	237	247	222	170	77	110	40	PN10	23.70
DN250 (10")	68	207	268,3	247	222	170	77	110	40	PN10	37.30

Item 1	Item 2	Item 3	Item 4
Body Material	Seat Material	Disc Material	Actuator Material
Ductile iron : GGG40 + Epoxy coating	EPDM	Nickel plated : GGG40 + Ni	Self-extinguishing polymer

Belven N.V.

Blokhuisstraat 24 | 2800 Mechelen | Belgium  
 Tel. 015 29 40 70 | Fax. 015 20 14 13 | [info@belven.com](mailto:info@belven.com) | [www.belven.com](http://www.belven.com)

We keep the right to change the mentioned dimensions, weights, values and materials at any time without prior or direct notice.