

Technical Product Sheet



BV3M3-6666T-SW - Double Acting

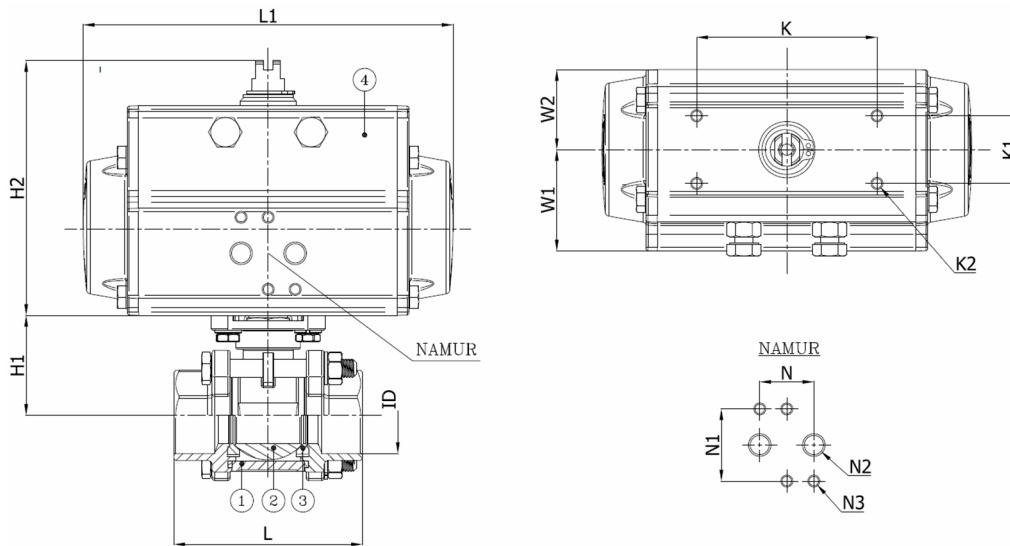
Ball valve with 3-pce body, full bore, welding sockets SW DIN 3239-2, with double acting actuator

Face to Face Standard: DIN 3202-4 M3

The actuator is selected for 20°C water with a pressure drop of 6 bar with 6 bar supply air pressure and minimum 1 cycle per week



Item Number	Belven Ref.
03M36977TDA2008	BV3M3-6666T-SW - 1/4" - DA032
03M36977TDA2010	BV3M3-6666T-SW - 3/8" - DA032
03M36977TDA2015	BV3M3-6666T-SW - 1/2" - DA052
03M36977TDA2020	BV3M3-6666T-SW - 3/4" - DA052
03M36977TDA2025	BV3M3-6666T-SW - 1" - DA052
03M36977TDA2032	BV3M3-6666T-SW - 1 1/4" - DA063
03M36977TDA2040	BV3M3-6666T-SW - 1 1/2" - DA063
03M36977TDA2050	BV3M3-6666T-SW - 2" - DA075



DN/Size	L	H1	H2	A	L1	ID	W1	W2	K	K1	K2	N	N1	N2	N3	Press.Cl.	Weight(kg)
DN008 (1/4")	55	36	65	11,6	110	14,1	37,5	25	50	25	M5	24	32	1/8"	M5	1000 WOG	1.10
DN010 (3/8")	60	36	65	12,8	110	17,6	37,5	25	50	25	M5	24	32	1/8"	M5	1000 WOG	1.10
DN015 (1/2")	75	38	101,5	15	141	21,7	41	30	80	30	M5	24	32	1/8"	M5	1000 WOG	1.70
DN020 (3/4")	80	41,7	101,5	20	141	27,2	41	30	80	30	M5	24	32	1/8"	M5	1000 WOG	2.10
DN025 (1")	90	44,4	101,5	25	141	33,9	41	30	80	30	M5	24	32	1/8"	M5	1000 WOG	2.20
DN032 (1 1/4")	110	52,8	113	32	164	42,6	45	35,5	80	30	M5	24	32	1/8"	M5	1000 WOG	3.50
DN040 (1 1/2")	120	58,5	113	38	164	48,7	45	35,5	80	30	M5	24	32	1/8"	M5	1000 WOG	4.20
DN050 (2")	140	66	131	50	210	61,1	52,5	42	80	30	M5	24	32	1/8"	M5	1000 WOG	6.50

Item 1	Item 2	Item 3	Item 4
Body Material	Ball Material	Seat Material	Actuator Material
Stainless steel : A351 CF8M	Stainless steel : A351 CF8M	PTFE	Extruded aluminium

Belven N.V.

Blokhuisstraat 24 | 2800 Mechelen | Belgium

Tel. 015 29 40 70 | Fax. 015 20 14 13 | info@belven.com | www.belven.com

We keep the right to change the mentioned dimensions, weights, values and materials at any time without prior or direct notice.