

Technical Product Sheet



BV4S-4766T-PN10/PN16/PN40 - Electric 110/240V

AC

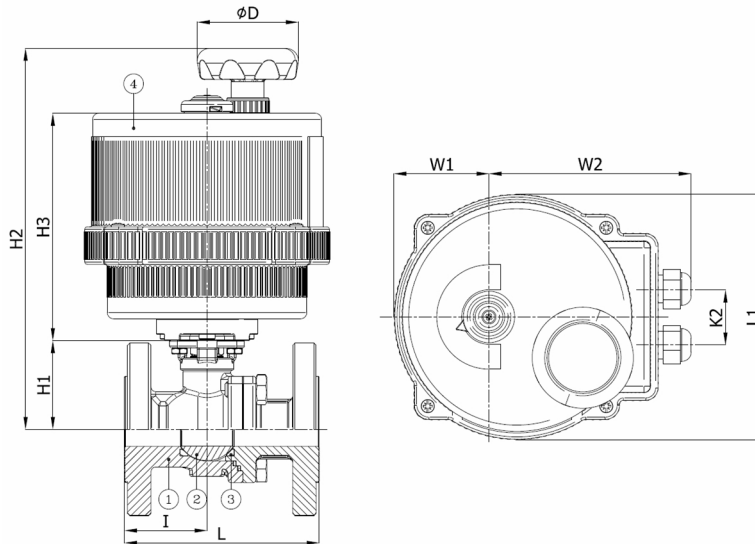
Ball valve, full bore, split body, flanged PN10/PN16/PN40, with electric actuator

Face to Face Standard: EN 558-1 series 27

The actuator is selected for 20°C water with a pressure drop of 6 bar and minimum 1 cycle per week - 110/240V AC



Item Number	Belven Ref.
04S3D07EL025	BV4S-4766T-PN40-DN025 - VB030 110/240VAC
04S3D07EL032	BV4S-4766T-PN40-DN032 - VB060 110/240VAC
04S3D07EL040	BV4S-4766T-PN40-DN040 - VB060 110/240VAC
04S3D07EL050	BV4S-4766T-PN40-DN050 - VB060 110/240VAC



DN/Size	L	H1	H2	H3	H4	I	L1	W1	W2	D	K2	Press.Cl.	Weight(kg)
DN025 (1")	125	58	246	146	42	53	157	60,5	129,5	65	36	PN40	6.00
DN032 (1 1/4")	130	71	286	173	42	55	185	67,5	146,5	65	36	PN40	8.30
DN040 (1 1/2")	140	80	295	173	42	52	185	67,5	146,5	65	36	PN40	10.00
DN050 (2")	150	89,5	304,5	173	42	57,5	185	67,5	146,5	65	36	PN40	12.60

Item 1	Item 2	Item 3	Item 4
Body Material	Ball Material	Seat Material	Actuator Material
Low-temperature steel : 1.1156 (LCB)	Stainless steel : A182-F304/A351-CF8	PTFE	Self-extinguishing polymer

Belven N.V.

Blokhuisstraat 24 | 2800 Mechelen | Belgium

Tel. 015 29 40 70 | Fax. 015 20 14 13 | info@belven.com | www.belven.com

We keep the right to change the mentioned dimensions, weights, values and materials at any time without prior or direct notice.