

Technical Product Sheet

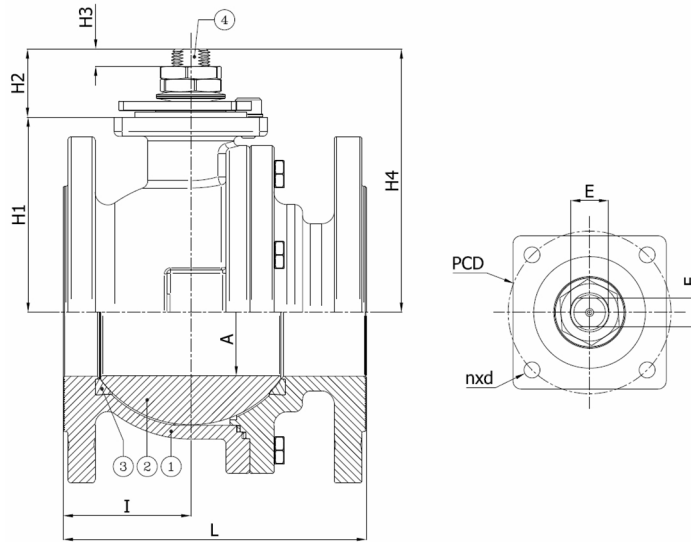
BV4-4766R-PN40 - Bare Shaft

Ball valve, full bore, split body, flanged PN40, bare shaft

Face to Face Standard: EN 558-1 series 27



Item Number	Belven Ref.
045D07F0065	BV4-4766R-PN40-DN065 - BARE SHAFT
045D07F0080	BV4-4466R-PN40-DN080 - BARE SHAFT
045D07F0100	BV4-4766R-PN40-DN100 - BARE SHAFT
045D07F0150	BV4-4766R-PN40-DN150 - BARE SHAFT



DN/Size	L	H1	H2	H3	H4	A	I	ISO	PCD	n x d	E	F	Press.Cl.	Weight(kg)
DN065 (2 1/2")	170	93,5	39,5	18	133	64	61	F07	70	4 x M8	M20	14	PN40	15.50
DN080 (3")	180	108	43	18	151	76	75,5	F10	102	4 x M10	M24	18	PN40	21.50
DN100 (4")	190	122	43	18	165	95	80	F10	102	4 x M10	M24	18	PN40	29.50
DN150 (6")	350	177	68	27,5	245	150	157	F12	125	4 x M12	M42	30	PN40	82.00

Item 1	Item 2	Item 3	Item 4
Body Material	Ball Material	Seat Material	Actuator Material
Low-temperature steel : 1.1156 (LCB)	Stainless steel : A182-F304 / A351-CF8	RPTFE	SS Stem A182-F304