

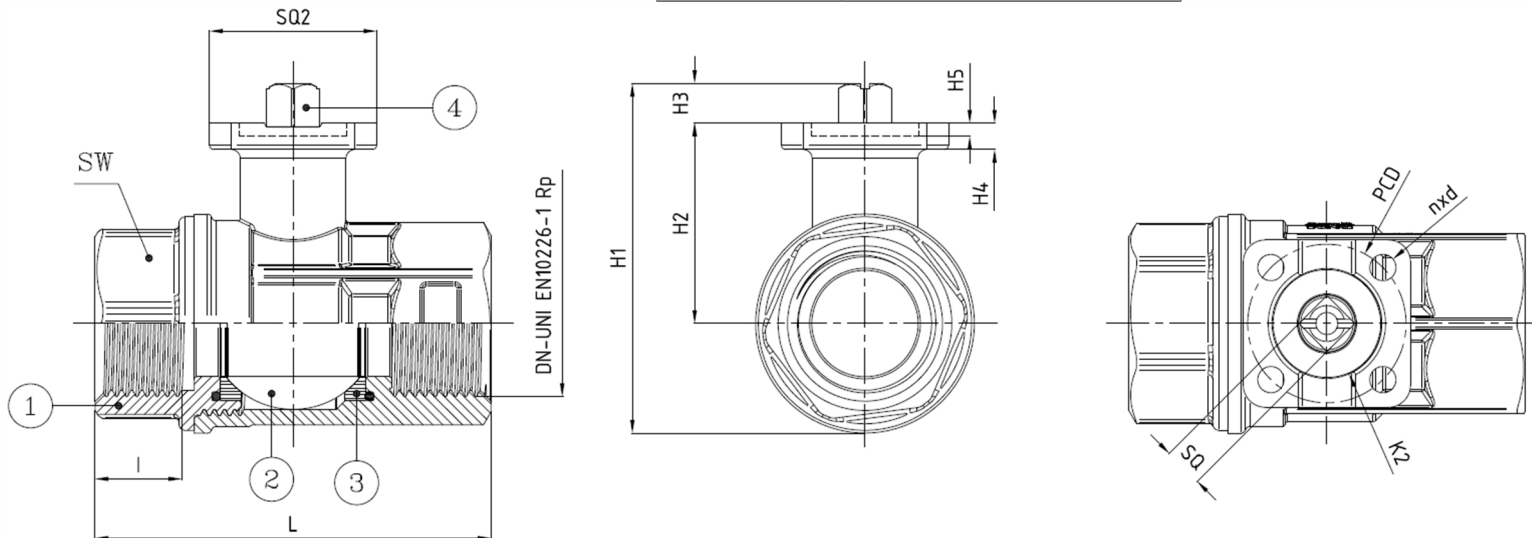
Technical Product Sheet

BV2-2500-BSP (F/F)

Brass 2-way ball valve, full bore, threaded F/F ISO 7/1-Rp, with ISO 5211 mounting pad
Face to Face Standard: Factory standard



Item Number	Belven Ref.
025111T0008	BV2-2500-BSP - 1/4" - BARE SHAFT
025111T0010	BV2-2500-BSP - 3/8" - BARE SHAFT
025111T0015	BV2-2500-BSP - 1/2" - BARE SHAFT
025111T0020	BV2-2500-BSP - 3/4" - BARE SHAFT
025111T0025	BV2-2500-BSP - 1" - BARE SHAFT
025111T0032	BV2-2500-BSP - 1 1/4" - BARE SHAFT
025111T0040	BV2-2500-BSP - 1 1/2" - BARE SHAFT
025111T0050	BV2-2500-BSP - 2" - BARE SHAFT
025111T0065	BV2-2500-BSP - 2 1/2" - BARE SHAFT
025111T0080	BV2-2500-BSP - 3" - BARE SHAFT
025111T0100	BV2-2500-BSP - 4" - BARE SHAFT



DN/Size	L	H1	H2	H3	H4	H5	I	Kvs	SW	SQ	ISO	PCD	n x d	Press.Cl.	Weight(kg)
DN008 (1/4")	67	58,3	32,5	9	5,5	2	11	5,4	27	9	F03	36	4 x 6	PN40	0.14
DN010 (3/8")	67	58,3	32,5	9	5,5	2	11,4	6	27	9	F03	36	4 x 6	PN40	0.12
DN015 (1/2")	67	58,3	32,5	9	5,5	2	15	16,3	27	9	F03	36	4 x 6	PN40	0.14
DN020 (3/4")	76	63,5	34,5	9	5	3	16,3	29,5	32	9	F03	36	4 x 6	PN40	0.24
DN025 (1")	90	79	45,5	9	6	3	19,1	43	41	9	F03	36	4 x 6	PN40	0.37
DN032 (1 1/4")	102	87,3	49	9	6	3	21,4	89	50	9	F03	36	4 x 6	PN40	0.62
DN040 (1 1/2")	114	111,5	64	11	8	3	21,4	230	55	11	F05	50	4 x 7	PN40	0.91
DN050 (2")	138	130	73,2	11	8	3	25,7	265	70	11	F05	50	4 x 7	PN40	1.55
DN065 (2 1/2")	165	160,8	88,5	15	9	3	30,2	540	90	14	F07	70	4 x 9	PN25	2.64
DN080 (3")	188	181	98	15	9	3	33,3	873	105	14	F07	70	4 x 9	PN16	4.25
DN100 (4")	225	217	116,5	17,5	8,5	3	39,3	1390	130	17	F07	70	4 x 9	PN16	7.18

Item 1	Item 2	Item 3	Item 4
Body Material	Ball Material	Seat Material	Actuator Material
Brass : CW617N UNI EN 12420	Brass : CW617N UNI EN 12166	PTFE	Brass : CW617N UNI EN 12164

Belven N.V.

Blokhuisstraat 24 | 2800 Mechelen | Belgium
Tel. 015 29 40 70 | Fax. 015 20 14 13 | info@belven.com | www.belven.com

We keep the right to change the mentioned dimensions, weights, values and materials at any time without prior or direct notice.