

# Technical Product Sheet

## BV10-2325E-PN10/A150 - Single Acting (AFC)

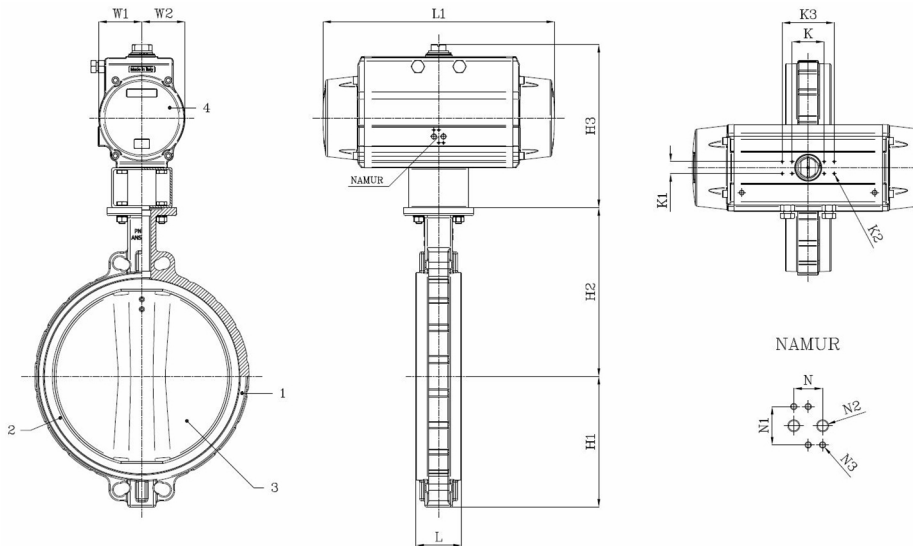
Wafer type butterfly valve, mounting between flanges PN10/A150, DN600 only PN10, with single acting pneumatic actuator AFC

Face to Face Standard: EN 558-1 Table 1 series 20

The actuator is selected for 20°C water with a pressure drop of 6 bar with 6 bar supply air pressure and minimum 1 cycle per week, at air pressure failure the springs will put the valve in closed position



Item Number	Belven Ref.
101023ESR20350	BV10-2325E-PN10-DN350 - SR230
101023ESR20400	BV10-2325E-PN10-DN400 - SR230
101023ESR20450	BV10-2325E-PN10-DN450 - SR270
101023ESR20500	BV10-2325E-PN10-DN500 - SR330
101023ESR20600	BV10-2325E-PN10-DN600 - SR330



DN/Size	L	H1	H2	H3	L1	W1	W2	K	K3	K1	K2	N	N1	N2	N3	Press.Cl.	Weight(kg)
DN350 (14")	78	259	368	475	690	124,5	124	80	130	30	M5	24	32	1/4"	M5	PN10	118.60
DN400 (16")	102	309	400	475	690	124,5	124	80	130	30	M5	24	32	1/4"	M5	PN10	128.90
DN450 (18")	114	327	422	548	672	145	145	80	130	30	M5	32	24	1/4"	M5	PN10	195.60
DN500 (20")	127	361	480	675	881	201	201	130		30	M5	45	40	1/2"	M6	PN10	314.20
DN600 (24")	154	459	562	675	881	201	201	130		30	M5	45	40	1/2"	M6	PN10	349.20

Item 1	Item 2	Item 3	Item 4
Body Material	Seat Material	Disc Material	Actuator Material
Cast iron : GG25 + Epoxy coating	EPDM	Nickel plated : GGG40 + Ni	Extruded aluminium

Belven N.V.

Blokhuisstraat 24 | 2800 Mechelen | Belgium

Tel. 015 29 40 70 | Fax. 015 20 14 13 | [info@belven.com](mailto:info@belven.com) | [www.belven.com](http://www.belven.com)

We keep the right to change the mentioned dimensions, weights, values and materials at any time without prior or direct notice.