

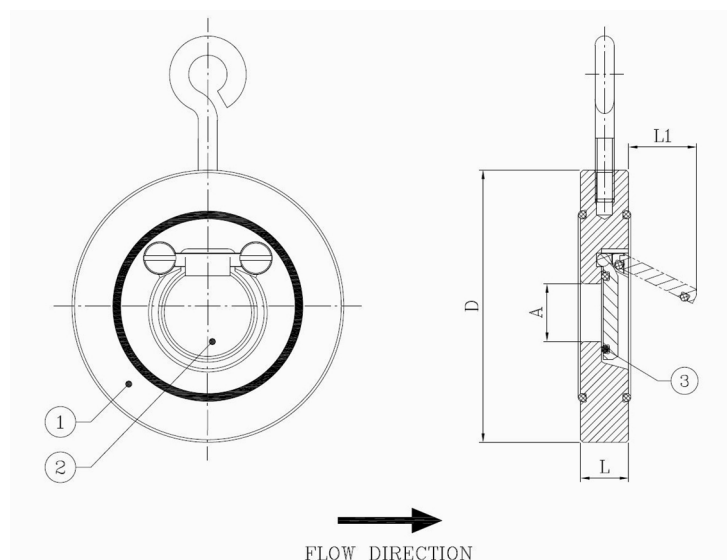
BV38-6666B-PN10

Wafer type swing check valve, mounting between flanges PN10

Face to Face Standard: Factory standard



Item Number	Belven Ref.
382077B0250	BV38-6666B-PN10-DN250
382077B0300	BV38-6666B-PN10-DN300
382077B0350	BV38-6666B-PN10-DN350
382077B0400	BV38-6666B-PN10-DN400
382077B0450	BV38-6666B-PN10-DN450
382077B0500	BV38-6666B-PN10-DN500
382077B0600	BV38-6666B-PN10-DN600



DN/Size	A	D	L	L1	Press.Cl.	Weight(kg)
DN250 (10")	192	330	26	190	PN10	12.60
DN300 (12")	227	380	32	220	PN10	20.50
DN350 (14")	266	440	38	250	PN10	33.50
DN400 (16")	310	491	44	290	PN10	52.00
DN450 (18")	350	541	52	340	PN10	71.00
DN500 (20")	400	596	58	390	PN10	94.00
DN600 (24")	486	698	62	470	PN10	128.00

Item 1	Item 2	Item 3
Body Material	Disc Material	Seat Material
Stainless steel : 1.4408 (CF8M)	Stainless steel : 1.4408/1.4581 (CF8M/AISI 316Nb)	NBR