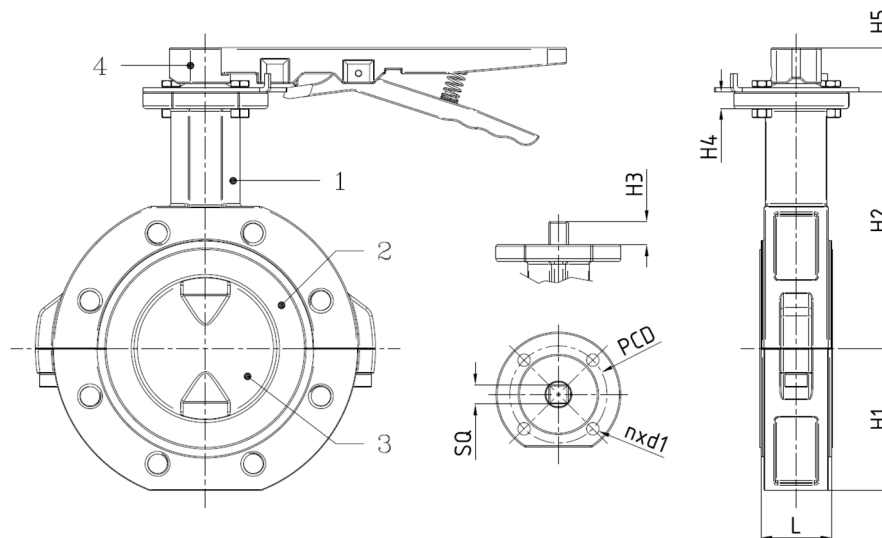


BV12-2977P-PN10 - Hendel

Lug type vlinderklep, te monteren tussen flenzen PN10/PN16(DN50-150) of PN10(DN200-300), met hendel
Norm Bouw lengte: EN 558-1 Tabel 1 serie 20



Artikelnummer	Belven Ref.
123088P1050	BV12-2977P-PN10-DN050 - LEVER
123088P1065	BV12-2977P-PN10-DN065 - LEVER
123088P1080	BV12-2977P-PN10-DN080 - LEVER
123088P1100	BV12-2977P-PN10-DN100 - LEVER
123088P1125	BV12-2977P-PN10-DN125 - LEVER
123088P1150	BV12-2977P-PN10-DN150 - LEVER
123088P1200	BV12-2977P-PN10-DN200 - LEVER
123088P1250	BV12-2977P-PN10-DN250 - LEVER
123088P1300	BV12-2977P-PN10-DN300 - LEVER



DN/Inch	L	H1	H2	H3	H4	L1	SQ	H5	ISO	PCD	n x d1	Drukl.	Gewicht(kg)
DN050 (2")	43	58	130	17	12	230	11	46	F07	70	4 x d9	PN10	6,10
DN065 (2 1/2")	46	65	146	17	12	230	11	46	F07	70	4 x d9	PN10	7,80
DN080 (3")	46	88	165	17	12	230	11	46	F07	70	4 x d9	PN10	9,40
DN100 (4")	52	102	185	17	12	270	14	55	F07	70	4 x d9	PN10	11,70
DN125 (5")	56	116	202	17	12	270	14	55	F07	70	4 x d9	PN10	15,70
DN150 (6")	56	127	217	22	12	325	17	55	F07	70	4 x d9	PN10	16,50
DN200 (8")	60	160	245	26	16	349	19	55	F10	102	4 x d12	PN10	26,50
DN250 (10")	68	193	270	30	16	349	22	55	F10	102	4 x d12	PN10	35,20
DN300 (12")	78	227	308	30	16	349	22	55	F10	102	4 x d12	PN10	58,90

Item 1	Item 2	Item 3	Item 4
Materiaal Huis	Materiaal Zitting	Materiaal Klepblad	Materiaal Bediening
Nodulair gietijzer : GGG40 + Epoxy coating	PTFE	PFA bekleding op RVS kern (>200 stalen kern)	Roestvrijstaal : 1.4308