

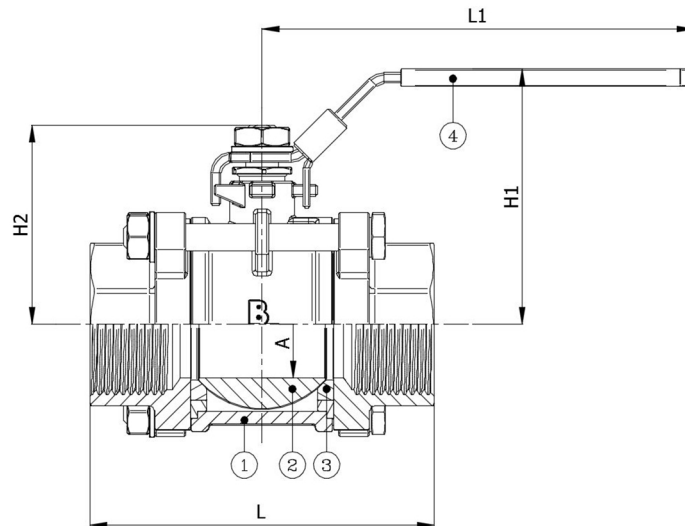
Technical Product Sheet

BV3-6666T-LD-NPT

Ball valve with 3-pce body, full bore, NPT threaded F/F ANSI B2.1, with lockable lever
Face to Face Standard: Factory standard



Item Number	Belven Ref.
036377T1015-A	BV3-6666T-LD-NPT - 1/2" - LEVER
036377T1020-A	BV3-6666T-LD-NPT - 3/4" - LEVER
036377T1025-A	BV3-6666T-LD-NPT - 1" - LEVER
036377T1032-A	BV3-6666T-LD-NPT - 1 1/4" - LEVER
036377T1040-A	BV3-6666T-LD-NPT - 1 1/2" - LEVER
036377T1050-A	BV3-6666T-LD-NPT - 2" - LEVER
036377T1065-A	BV3-6666T-LD-NPT - 2 1/2" - LEVER
036377T1080-A	BV3-6666T-LD-NPT - 3" - LEVER
036377T1100-A	BV3-6666T-LD-NPT - 4" - LEVER



DN/Size	L	H1	H2	A	L1	Press.Cl.	Weight(kg)
DN015 (1/2")	65	57,5	38,4	15	80	1000 WOG	0.34
DN020 (3/4")	75	62,5	42,5	20	100	1000 WOG	0.58
DN025 (1")	85	72	50,2	24,5	125	1000 WOG	0.88
DN032 (1 1/4")	100	78,3	56,5	32	125	1000 WOG	1.30
DN040 (1 1/2")	110	88,6	68,7	38	160	1000 WOG	2.02
DN050 (2")	130	101,4	81,5	50	160	1000 WOG	3.27
DN065 (2 1/2")	168	130,6	113	65	230	1000 WOG	8.92
DN080 (3")	204	148,8	126,9	76,2	300	1000 WOG	15.18
DN100 (4")	217	174,25	137,3	100	400	1000 WOG	23.88

Item 1	Item 2	Item 3	Item 4
Body Material	Ball Material	Seat Material	Actuator Material
Stainless steel : A351 CF8M	Stainless steel : A351 CF8M/A182-F316	PTFE	Stainless steel : AISI 201 (EN1.4372)

Belven N.V.

Blokhuisstraat 24 | 2800 Mechelen | Belgium
Tel. 015 29 40 70 | Fax. 015 20 14 13 | info@belven.com | www.belven.com

We keep the right to change the mentioned dimensions, weights, values and materials at any time without prior or direct notice.