

Technical Product Sheet

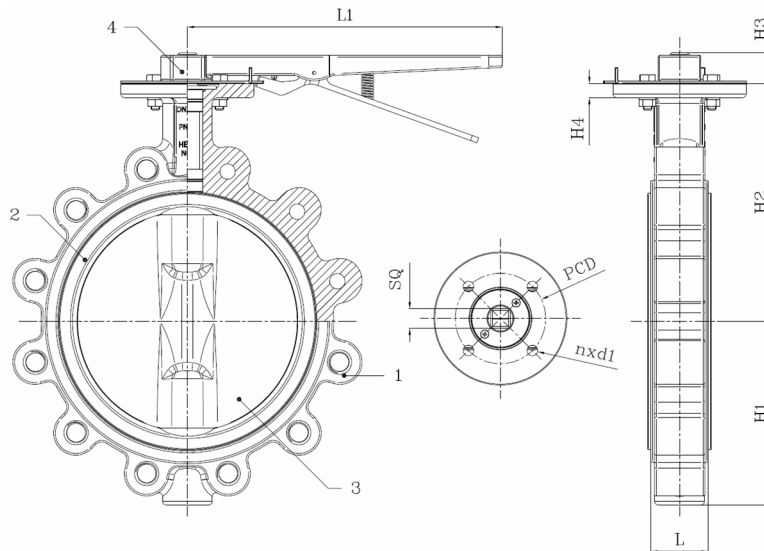
BV12-2466V-PN16 - Lever

Lug type butterfly valve, mounting between flanges PN16, with lever

Face to Face Standard: EN 558-1 Table 1 series 20



| Item Number | Belven Ref. |
|-------------|-------------------------------|
| 121126V1200 | BV12-2466V-PN16-DN200 - LEVER |
| 121126V1250 | BV12-2466V-PN16-DN250 - LEVER |
| 121126V1300 | BV12-2466V-PN16-DN300 - LEVER |



| DN/Size | L | H1 | H2 | H3 | H4 | L1 | SQ | ISO | PCD | n x d1 | Press.Cl. | Weight(kg) |
|-------------|----|-------|-------|------|----|-----|----|-----|-----|---------|-----------|------------|
| DN200 (8") | 60 | 168 | 237 | 34,5 | 16 | 356 | 17 | F10 | 102 | 4 x d12 | PN16 | 18.00 |
| DN250 (10") | 68 | 207 | 268,3 | 34,5 | 16 | 356 | 22 | F10 | 102 | 4 x d12 | PN16 | 31.50 |
| DN300 (12") | 78 | 243,5 | 308,5 | 34,5 | 16 | 356 | 27 | F12 | 125 | 4 x d14 | PN16 | 46.50 |

| Item 1 | Item 2 | Item 3 | Item 4 |
|--------------------------------------|----------------------|------------------------|--------------------------|
| Body Material | Seat Material | Disc Material | Actuator Material |
| Ductile iron : GGG40 + Epoxy coating | VITON | Stainless steel : CF8M | malleable iron |