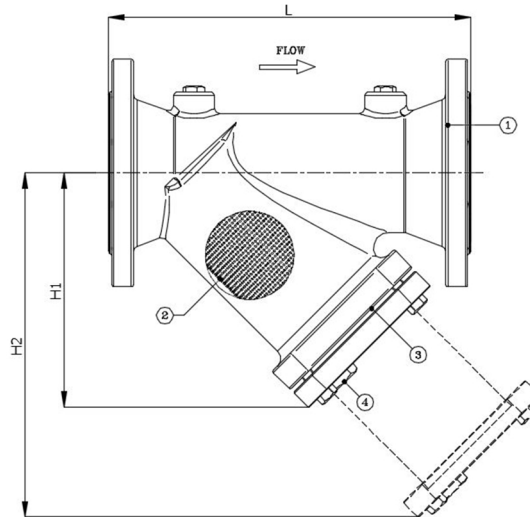


BV56-2466-PN16

Y-filter, geflensd PN16, met geperforeerd filterelement, met aftapplug, temperatuurbereik -10°C tot 70°C
Norm Bouwlengte: EN-558:2022 Tabel 14 serie 1 (DIN3202 F1)



| Artikelnummer | Belven Ref. |
|---------------|----------------------|
| 563647A00050 | BV56-2466-PN16-DN050 |
| 563647A00065 | BV56-2466-PN16-DN065 |
| 563647A00080 | BV56-2466-PN16-DN080 |
| 563647A00100 | BV56-2466-PN16-DN100 |
| 563647A00125 | BV56-2466-PN16-DN125 |
| 563647A00150 | BV56-2466-PN16-DN150 |
| 563647A00200 | BV56-2466-PN16-DN200 |
| 563647A00250 | BV56-2466-PN16-DN250 |
| 563647A00300 | BV56-2466-PN16-DN300 |



| DN/Inch | L | Aflaatplug | H1 | H2 | Perforatie van het filterelement | Drukkl. | Gewicht(kg) |
|----------------|-----|------------|-----|------|----------------------------------|---------|-------------|
| DN050 (2") | 230 | G 3/4" | 132 | 220 | 1,1 | PN16 | 8,90 |
| DN065 (2 1/2") | 290 | G 3/4" | 182 | 312 | 1,1 | PN16 | 14,40 |
| DN080 (3") | 310 | G 3/4" | 202 | 340 | 1,1 | PN16 | 17,10 |
| DN100 (4") | 350 | G 3/4" | 234 | 390 | 1,1 | PN16 | 28,00 |
| DN125 (5") | 400 | G 3/4" | 275 | 452 | 1,1 | PN16 | 41,50 |
| DN150 (6") | 480 | G 3/4" | 333 | 542 | 1,8 | PN16 | 50,50 |
| DN200 (8") | 600 | G 3/4" | 393 | 636 | 1,8 | PN16 | 119,50 |
| DN250 (10") | 730 | G 3/4" | 541 | 902 | 1,8 | PN16 | 191,50 |
| DN300 (12") | 850 | G 3/4" | 641 | 1030 | 1,8 | PN16 | 320,00 |

| Item 1 | Item 2 | Item 3 | Item 4 |
|--|--------------------------------|---------------------------|-----------------------|
| Materiaal Huis | Materiaal Filterelement | Materiaal Dichting | Materiaal Plug |
| Nodulair gietijzer : GGG40 + Epoxy gespoten coating (intern en extern) | Roestvrijstaal : AISI 316 | Aramidevezel | C15 staal |