

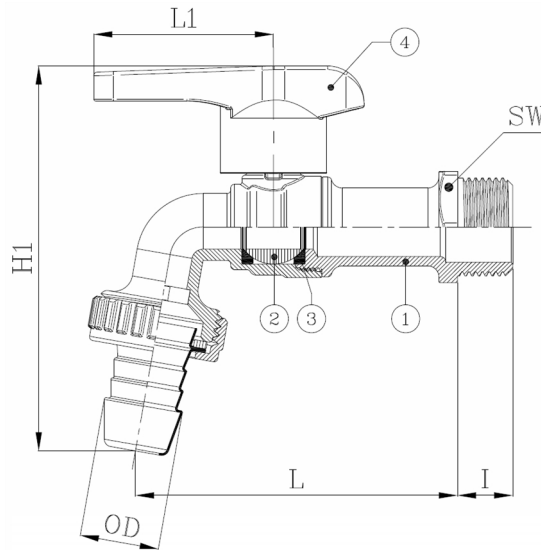
# Technical Product Sheet

## BV59-406-BSPM/Hose Tail

Brass ball bib-cock with hose connection/ male threaded ISO 228, with wing handle  
Face to Face Standard: Factory standard



Item Number	Belven Ref.
593111N1015	BV59-406-BSPM/HT - 1/2" - LEVER
593111N1020	BV59-406-BSPM/HT - 3/4" - LEVER
593111N1025	BV59-406-BSPM/HT - 1" - LEVER



DN/Size	L	H1	I	L1	OD	SW	Press.Cl.	Weight(kg)
DN015 (1/2")	80	92,5	12	50	15,5	25	PN30	0.21
DN020 (3/4")	92	105	15	50	20,5	30	PN30	0.30
DN025 (1")	100	117,5	18	50	25,5	38	PN30	0.50

Item 1	Item 2	Item 3	Item 4
Body Material	Ball Material	Seat Material	Actuator Material
Brass : CW617N UNI EN 12165	Brass : CW617N UNI EN 12164	PTFE	Aluminium alloy EN AC-46100

Belven N.V.

Blokhuisstraat 24 | 2800 Mechelen | Belgium  
Tel. 015 29 40 70 | Fax. 015 20 14 13 | [info@belven.com](mailto:info@belven.com) | [www.belven.com](http://www.belven.com)

We keep the right to change the mentioned dimensions, weights, values and materials at any time without prior or direct notice.