

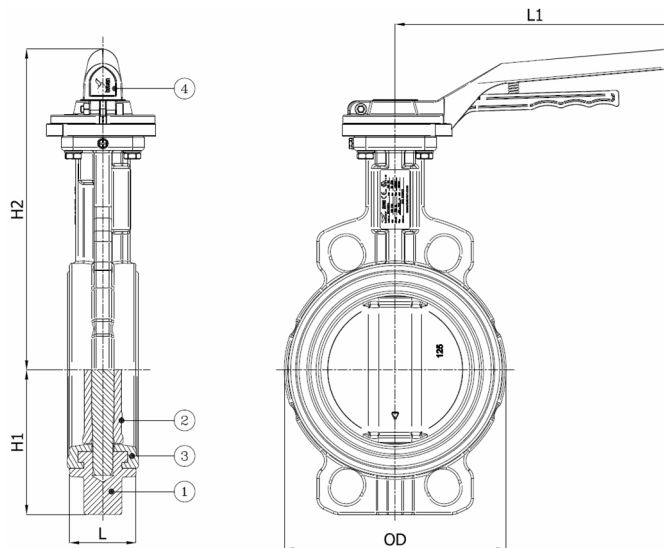
## BV10NPA-2366V-PN10/PN16 - Aluminium Hendel

Wafer type vlinderklep, te monteren tussen flenzen PN10/PN16, met aluminium hendel

Norm Bouwlengte: EN 558-1 Tabel 1 serie 20



Artikelnummer	Belven Ref.
10HCD116V1A0050	BV10NPA-2366V-PN10-DN050 - ALU LEVER
10HCD116V1A0065	BV10NPA-2366V-PN10-DN065 - ALU LEVER
10HCD116V1A0080	BV10NPA-2366V-PN10-DN080 - ALU LEVER
10HCD116V1A0100	BV10NPA-2366V-PN10-DN100 - ALU LEVER
10HCD116V1A0125	BV10NPA-2366V-PN10-DN125 - ALU LEVER
10HCD116V1A0150	BV10NPA-2366V-PN10-DN150 - ALU LEVER



DN/Inch	L	H1	H2	OD	L1	Drukl.	Gewicht(kg)
DN050 (2")	43	65	218	96	210	PN10	3,40
DN065 (2 1/2")	46	71	230	110	210	PN10	4,20
DN080 (3")	46	77	237	124	210	PN10	4,40
DN100 (4")	52	107	256	148	210	PN10	5,70
DN125 (5")	56	122	272	180	210	PN10	7,70
DN150 (6")	56	150	285	206	210	PN10	8,60

Item 1	Item 2	Item 3	Item 4
<b>Materiaal Huis</b>	<b>Materiaal Zitting</b>	<b>Materiaal Klepblad</b>	<b>Materiaal Bediening</b>
Gietijzer : GG25 + Epoxy coating	VITON	Roestvrijstaal : CF8M	Aluminium