

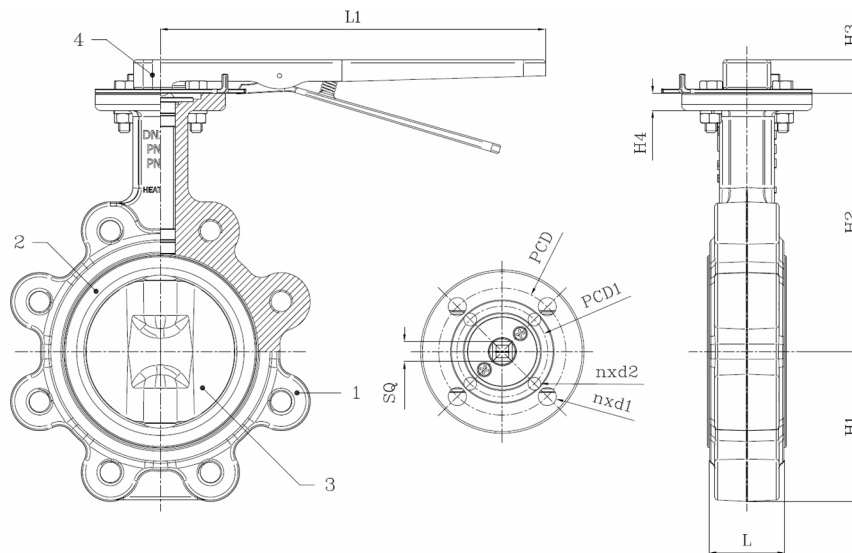
# Technical Product Sheet

## BV12-2425B-PN10/16 - Lever

Lug type butterfly valve, mounting between flanges PN10/PN16, with lever  
Face to Face Standard: EN 558-1 Table 1 series 20



Item Number	Belven Ref.
121023B1050	BV12-2425B-PN16-DN050 - LEVER
121023B1065	BV12-2425B-PN16-DN065 - LEVER
121023B1080	BV12-2425B-PN16-DN080 - LEVER
121023B1100	BV12-2425B-PN16-DN100 - LEVER
121023B1125	BV12-2425B-PN16-DN125 - LEVER
121023B1150	BV12-2425B-PN16-DN150 - LEVER



DN/Size	L	H1	H2	H3	H4	L1	SQ	ISO	PCD	n x d1	PCD1	n x d2	Press.Cl.	Weight(kg)
DN050 (2")	43	71,4	142,7	22	12	266	11	F05/F07	70	4 x d10	50	4 x d7	PN16	4.00
DN065 (2 1/2")	46	77,8	155,4	22	12	266	11	F05/F07	70	4 x d10	50	4 x d7	PN16	4.60
DN080 (3")	46	89	161,8	22	12	266	11	F05/F07	70	4 x d10	50	4 x d7	PN16	5.30
DN100 (4")	52	102	178	22	12	266	14	F07	70	4 x d10			PN16	7.80
DN125 (5")	56	123	190,5	22	12	266	14	F07	70	4 x d10			PN16	9.70
DN150 (6")	56	138	205,2	22	12	266	14	F07	70	4 x d10			PN16	11.50

Item 1	Item 2	Item 3	Item 4
Body Material	Seat Material	Disc Material	Actuator Material
Ductile iron : GGG40 + Epoxy coating	NBR	Nickel plated : GGG40 + Ni	malleable iron