

Technical Product Sheet

BV6W-1112T-F-CVB

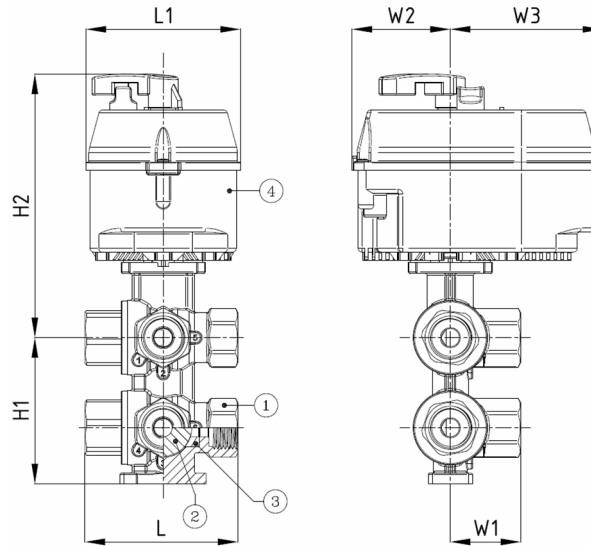
6-way change-over ball valve made of brass, with modulating actuator - 24Vac.

Face to Face Standard: Factory standard

Pressure class : PN16, female thread BSPP EN-10226-1 Rp / ISO 7/1-Rp, medium temp. range: 5°C to 90°C.



| Item Number | Belven Ref. |
|-------------|-----------------------------------|
| 6WOMACT0015 | BV6W-1112T-F BSPP RP 1/2" Kvs 2,4 |
| 6WOMACT0020 | BV6W-1112T-F BSPP RP 1/2" Kvs 4,0 |



| DN/Size | L | H1 | H2 | L1 | W1 | W2 | W3 | Press.Cl. | Weight(kg) |
|--------------|-----|----|-----|----|----|----|----|-----------|------------|
| DN015 (1/2") | 76 | 71 | 134 | 78 | 35 | 48 | 77 | PN16 | 1.62 |
| DN020 (3/4") | 100 | 94 | 148 | 78 | 43 | 48 | 77 | PN16 | 2.16 |

| Item 1 | Item 2 | Item 3 | Item 4 |
|------------------------------|------------------------------|---------------|-------------------|
| Body Material | Ball Material | Seat Material | Actuator Material |
| Brass : CW617N Nickel plated | Brass : CW614N Chrome plated | PTFE | PA Ultramid |

Belven N.V.

Blokhuisstraat 24 | 2800 Mechelen | Belgium

Tel. 015 29 40 70 | Fax. 015 20 14 13 | info@belven.com | www.belven.com

We keep the right to change the mentioned dimensions, weights, values and materials at any time without prior or direct notice.