

# Technical Product Sheet



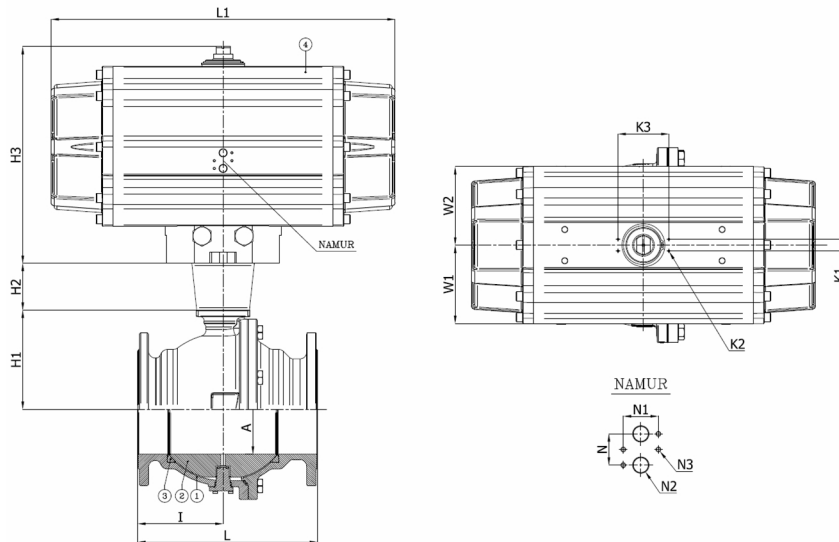
## BV4-4466T-A150-TR - Single Acting (AFC)

Ball valve, full bore, trunnion mounted, split body, flanged ANSI 150lbs, with spring return actuator AFC  
Face to Face Standard: ANSI B16.10

The actuator is selected for 25°C water with a pressure drop of 16 bar with 6 bar supply air pressure and minimum 1 cycle per week, at air pressure failure the springs will put the valve in closed position



| Item Number    | Belven Ref.                     |
|----------------|---------------------------------|
| 047A57SA1250TR | BV4-4466T-A150-TR-DN250 - SR330 |
| 047A57SA1300TR | BV4-4466T-A150-TR-DN300 - SR330 |



| DN/Size     | L   | H1  | H2  | H3  | I     | L1  | W1  | W2  | K3  | K1 | K2 | N  | N1 | N2   | N3 | Press.Cl. | Weight(kg) |
|-------------|-----|-----|-----|-----|-------|-----|-----|-----|-----|----|----|----|----|------|----|-----------|------------|
| DN250 (10") | 533 | 272 | 120 | 555 | 301,8 | 881 | 201 | 201 | 130 | 30 | M5 | 40 | 45 | 1/2" | M6 | A150      | 412.00     |
| DN300 (12") | 610 | 303 | 120 | 555 | 353,8 | 881 | 201 | 201 | 130 | 30 | M5 | 40 | 45 | 1/2" | M6 | A150      | 471.00     |

| Item 1                  | Item 2                                 | Item 3        | Item 4             |
|-------------------------|--|---------------|--------------------|
| Body Material           | Ball Material                          | Seat Material | Actuator Material  |
| Carbon steel : A216 WCB | Stainless steel : A182-F304 / A351-CF8 | PTFE          | Extruded aluminium |

Belven N.V.

Blokhuisstraat 24 | 2800 Mechelen | Belgium  
Tel. 015 29 40 70 | Fax. 015 20 14 13 | [info@belven.com](mailto:info@belven.com) | [www.belven.com](http://www.belven.com)

We keep the right to change the mentioned dimensions, weights, values and materials at any time without prior or direct notice.