

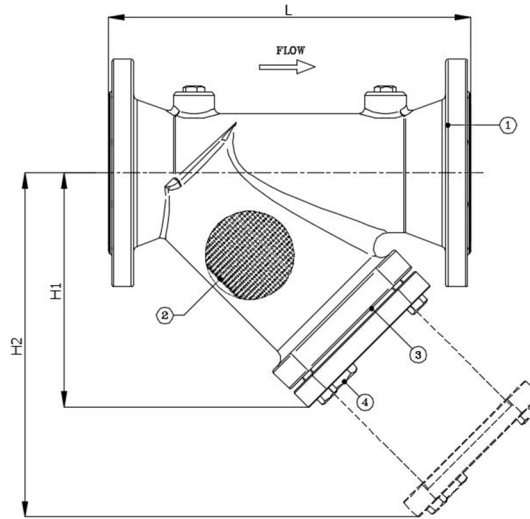
Technical Product Sheet

BV56-2466-PN16

Y-type strainer, flanged PN16, with perforated screen, with drain plug, temperature range -10°C to 70°C
Face to Face Standard: EN-558:2022 Table 14 series 1 (DIN3202 F1)



Item Number	Belven Ref.
563647A00050	BV56-2466-PN16-DN050
563647A00065	BV56-2466-PN16-DN065
563647A00080	BV56-2466-PN16-DN080
563647A00100	BV56-2466-PN16-DN100
563647A00125	BV56-2466-PN16-DN125
563647A00150	BV56-2466-PN16-DN150
563647A00200	BV56-2466-PN16-DN200
563647A00250	BV56-2466-PN16-DN250
563647A00300	BV56-2466-PN16-DN300



DN/Size	L	Drain Plug	H1	H2	Screen Perforation	Press.Cl.	Weight(kg)
DN050 (2")	230	G 3/4"	132	220	1,1	PN16	8.90
DN065 (2 1/2")	290	G 3/4"	182	312	1,1	PN16	14.40
DN080 (3")	310	G 3/4"	202	340	1,1	PN16	17.10
DN100 (4")	350	G 3/4"	234	390	1,1	PN16	28.00
DN125 (5")	400	G 3/4"	275	452	1,1	PN16	41.50
DN150 (6")	480	G 3/4"	333	542	1,8	PN16	50.50
DN200 (8")	600	G 3/4"	393	636	1,8	PN16	119.50
DN250 (10")	730	G 3/4"	541	902	1,8	PN16	191.50
DN300 (12")	850	G 3/4"	641	1030	1,8	PN16	320.00

Item 1	Item 2	Item 3	Item 4
Body Material	Screen Material	Gasket Material	Plug Material
Ductile iron : GGG40 + Epoxy spray coating (internal and external)	Stainless steel : AISI 316	Aramid fibre	C15 steel

Belven N.V.

Blokhuisstraat 24 | 2800 Mechelen | Belgium
Tel. 015 29 40 70 | Fax. 015 20 14 13 | info@belven.com | www.belven.com

We keep the right to change the mentioned dimensions, weights, values and materials at any time without prior or direct notice.