

Technical Product Sheet

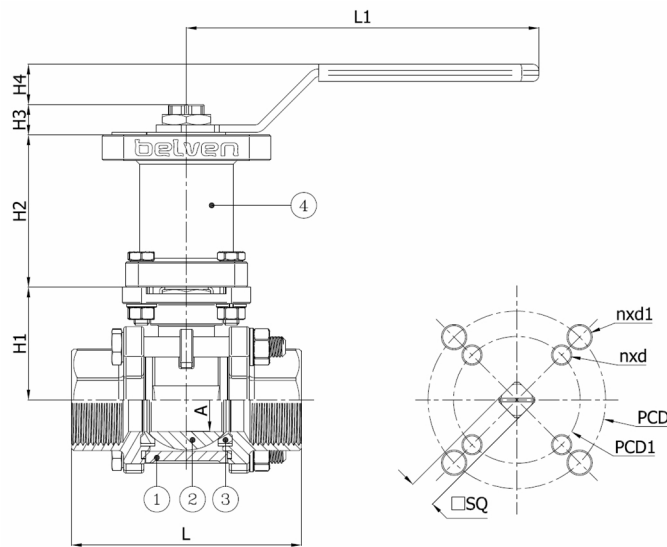
BV3M3-6666T-NPT - DSTE with Lever

Ball valve with 3-pce body, full bore, NPT threaded F/F ANSI B2.1, ISO 5211 high top flange, incl. stainless steel stem extension with protective tube and lockable lever

Face to Face Standard: DIN 3202-4 M3



| Item Number | Belven Ref. |
|----------------|---------------------------------------|
| 03M36377T1S008 | BV3M3-6666T-NPT - 1/4" - DSTE-LEVER |
| 03M36377T1S010 | BV3M3-6666T-NPT - 3/8" - DSTE-LEVER |
| 03M36377T1S015 | BV3M3-6666T-NPT - 1/2" - DSTE-LEVER |
| 03M36377T1S020 | BV3M3-6666T-NPT - 3/4" - DSTE-LEVER |
| 03M36377T1S025 | BV3M3-6666T-NPT - 1" - DSTE-LEVER |
| 03M36377T1S032 | BV3M3-6666T-NPT - 1 1/4" - DSTE-LEVER |
| 03M36377T1S040 | BV3M3-6666T-NPT - 1 1/2" - DSTE-LEVER |
| 03M36377T1S050 | BV3M3-6666T-NPT - 2" - DSTE-LEVER |



| DN/Size | L | H1 | H2 | H3 | H4 | A | L1 | SQ | ISO | PCD | n x d1 | PCD1 | ISO1 | n x d | Press.Cl. | Weight(kg) |
|----------------|-----|------|----|------|------|------|-----|----|-----|-----|--------|------|------|-------|-----------|------------|
| DN008 (1/4") | 55 | 36 | 58 | 9,6 | 15,5 | 11,6 | 112 | 9 | F05 | 50 | | | | 4 x 7 | 1000 WOG | 1.30 |
| DN010 (3/8") | 60 | 36 | 58 | 9,6 | 15,5 | 12,8 | 112 | 9 | F05 | 50 | | | | 4 x 7 | 1000 WOG | 1.30 |
| DN015 (1/2") | 75 | 38 | 58 | 9,6 | 15,5 | 15 | 112 | 9 | F05 | 50 | | | | 4 x 7 | 1000 WOG | 1.40 |
| DN020 (3/4") | 80 | 41,7 | 60 | 11,6 | 17,3 | 20 | 138 | 11 | F05 | 50 | 4 x 9 | 70 | F07 | 4 x 7 | 1000 WOG | 1.60 |
| DN025 (1") | 90 | 44,4 | 60 | 11,6 | 17,3 | 25 | 138 | 11 | F05 | 50 | 4 x 9 | 70 | F07 | 4 x 7 | 1000 WOG | 1.80 |
| DN032 (1 1/4") | 110 | 52,8 | 60 | 11,2 | 24,4 | 32 | 205 | 14 | F07 | 70 | | | | 4 x 9 | 1000 WOG | 2.70 |
| DN040 (1 1/2") | 120 | 58,5 | 60 | 11,2 | 24,4 | 38 | 205 | 14 | F07 | 70 | | | | 4 x 9 | 1000 WOG | 3.40 |
| DN050 (2") | 140 | 66 | 60 | 11,2 | 24,4 | 50 | 205 | 14 | F07 | 70 | | | | 4 x 9 | 1000 WOG | 4.60 |

| Item 1 | Item 2 | Item 3 | Item 4 |
|-----------------------------|-----------------------------|---------------|--------------------------|
| Body Material | Ball Material | Seat Material | Actuator Material |
| Stainless steel : A351 CF8M | Stainless steel : A351 CF8M | PTFE | stainless steel AISI 316 |

Belven N.V.

Blokhuistraat 24 | 2800 Mechelen | Belgium

Tel. 015 29 40 70 | Fax. 015 20 14 13 | info@belven.com | www.belven.com

We keep the right to change the mentioned dimensions, weights, values and materials at any time without prior or direct notice.