

# Technical Product Sheet

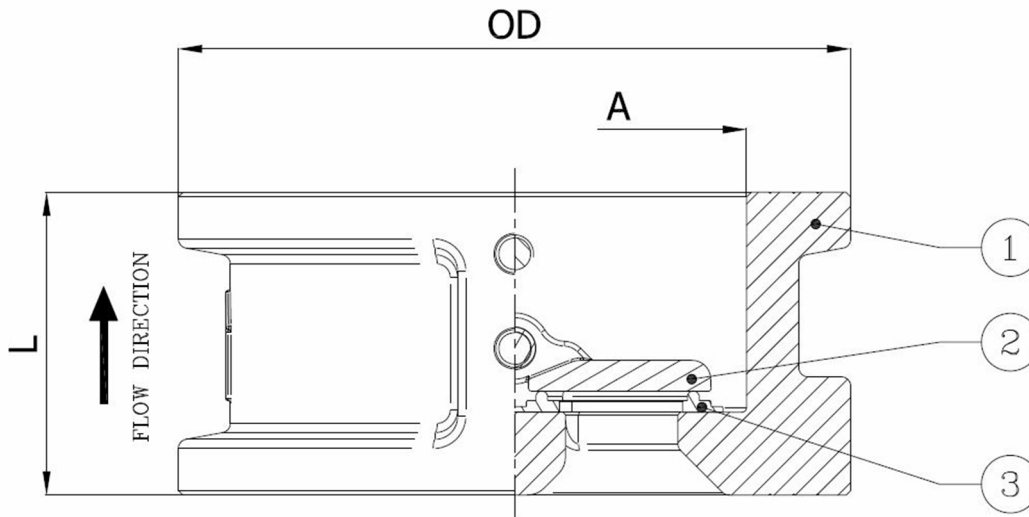
## BV40-2466E-PN10/16

Duo-check valve, mounting between flanges PN10/16

Face to Face Standard: EN 558-1 series 16



Item Number	Belven Ref.
403047E0050	BV40-2466E-PN16-DN050
403047E0065	BV40-2466E-PN16-DN065
403047E0080	BV40-2466E-PN16-DN080
403047E0100	BV40-2466E-PN16-DN100
403047E0125	BV40-2466E-PN16-DN125
403047E0150	BV40-2466E-PN16-DN150
403047E0200	BV40-2466E-PN16-DN200
403047E0250	BV40-2466E-PN16-DN250



DN/Size	L	OD	A	Press.Cl.	Weight(kg)
DN050 (2")	43	107	70,5	PN16	1.70
DN065 (2 1/2")	46	127	80	PN16	2.40
DN080 (3")	64	142	94	PN16	3.30
DN100 (4")	64	162	117	PN16	4.80
DN125 (5")	70	192	145	PN16	6.50
DN150 (6")	76	218	170	PN16	9.40
DN200 (8")	89	273	221	PN16	15.50
DN250 (10")	114	328	275,5	PN16	26.00

Item 1	Item 2	Item 3
<b>Body Material</b>	<b>Disc Material</b>	<b>Seat Material</b>
Ductile iron : GGG40 + Epoxy coating	Stainless steel : A351 CF8M	EPDM

Belven N.V.

Blokhuisstraat 24 | 2800 Mechelen | Belgium

Tel. 015 29 40 70 | Fax. 015 20 14 13 | [info@belven.com](mailto:info@belven.com) | [www.belven.com](http://www.belven.com)

We keep the right to change the mentioned dimensions, weights, values and materials at any time without prior or direct notice.