

Technical Product Sheet

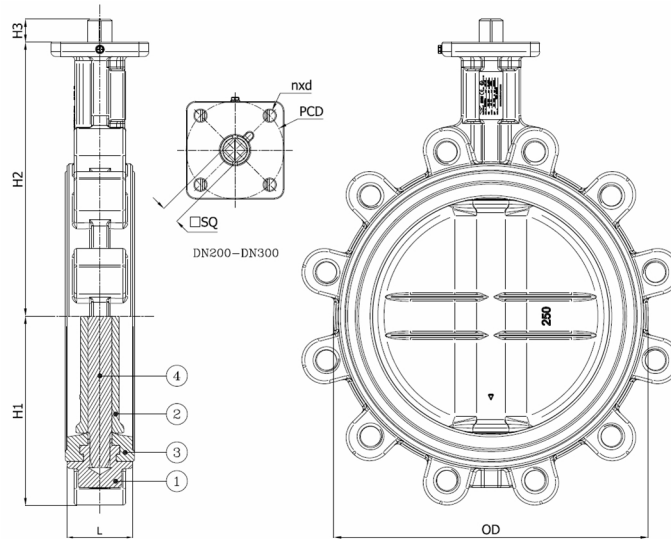
BV12NPA-2466E-PN10 - Bare Shaft

Lug type butterfly valve, mounting between flanges PN10, bare shaft

Face to Face Standard: EN 558-1 Table 1 series 20



Item Number	Belven Ref.
12HCD126E00200	BV12NPA-2466E-PN10-DN200 - BARE SHAFT
12HCD126E00250	BV12NPA-2466E-PN10-DN250 - BARE SHAFT
12HCD126E00300	BV12NPA-2466E-PN10-DN300 - BARE SHAFT



DN/Size	L	H1	H2	H3	OD	SQ	ISO	PCD	n x d	Press.Cl.	Weight(kg)
DN200 (8")	60	165	240	24	259	17	F10	102	4 x d12	PN10	17.50
DN250 (10")	68	201	286	24	320	19	F10	102	4 x d12	PN10	26.50
DN300 (12")	78	234	309	24	370	22	F10	102	4 x d12	PN10	43.50

Item 1	Item 2	Item 3	Item 4
Body Material	Seat Material	Disc Material	Actuator Material
Ductile iron : GGG40 + Epoxy coating	EPDM	Stainless steel : CF8M	SS Stem A182 F6A