

Technical Product Sheet

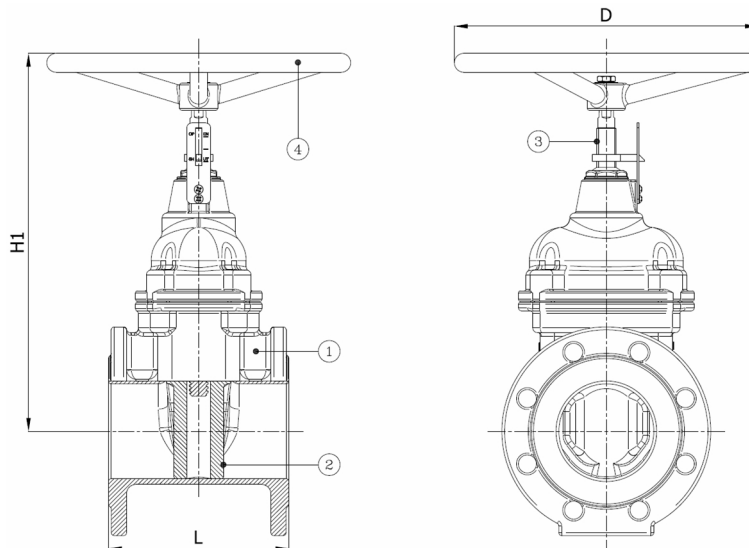
BV49A-3434B-F4-PN10/PN16 - Handwheel

Gate valve, flanged PN16, resilient seated, F4 short face to face, with handwheel

Face to Face Standard: EN 558-1 series 14



| Item Number | Belven Ref. |
|--------------|---------------------------------------|
| 49A3444B2040 | BV49A-3434B-F4-PN16 DN040 - HANDWHEEL |
| 49A3444B2050 | BV49A-3434B-F4-PN16 DN050 - HANDWHEEL |
| 49A3444B2065 | BV49A-3434B-F4-PN16 DN065 - HANDWHEEL |
| 49A3444B2080 | BV49A-3434B-F4-PN16 DN080 - HANDWHEEL |
| 49A3444B2100 | BV49A-3434B-F4-PN16 DN100 - HANDWHEEL |
| 49A3444B2125 | BV49A-3434B-F4-PN16 DN125 - HANDWHEEL |
| 49A3444B2150 | BV49A-3434B-F4-PN16 DN150 - HANDWHEEL |



| DN/Size | L | H1 | D | Press.Cl. | Weight(kg) |
|----------------|-----|-------|-----|-----------|------------|
| DN040 (1 1/2") | 140 | 264 | 200 | PN16 | 7.90 |
| DN050 (2") | 150 | 280,5 | 200 | PN16 | 10.20 |
| DN065 (2 1/2") | 170 | 311,5 | 250 | PN16 | 12.50 |
| DN080 (3") | 180 | 367 | 250 | PN16 | 16.40 |
| DN100 (4") | 190 | 398,5 | 320 | PN16 | 21.60 |
| DN125 (5") | 200 | 463,5 | 320 | PN16 | 29.30 |
| DN150 (6") | 210 | 501 | 320 | PN16 | 37.00 |

Belven N.V.

Blokhuisstraat 24 | 2800 Mechelen | Belgium

Tel. 015 29 40 70 | Fax. 015 20 14 13 | info@belven.com | www.belven.com

We keep the right to change the mentioned dimensions, weights, values and materials at any time without prior or direct notice.