

Technical Product Sheet

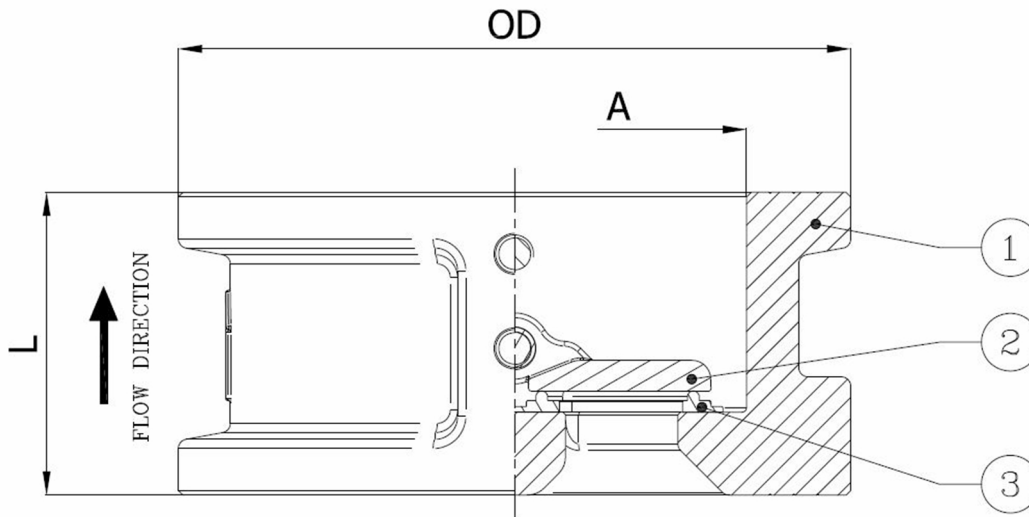
BV40-2413E-PN10

Duo-check valve, mounting between flanges PN10

Face to Face Standard: EN 558-1 series 16



Item Number	Belven Ref.
402042E0300	BV40-2413E-PN10-DN300
402042E0350	BV40-2413E-PN10-DN350
402042E0400	BV40-2413E-PN10-DN400
402042E0450	BV40-2413E-PN10-DN450
402042E0500	BV40-2413E-PN10-DN500
402042E0600	BV40-2413E-PN10-DN600



DN/Size	L	OD	A	Press.Cl.	Weight(kg)
DN300 (12")	114	378	325,5	PN10	33.50
DN350 (14")	127	438	360	PN10	55.00
DN400 (16")	140	489	410	PN10	75.00
DN450 (18")	152	539	467	PN10	101.00
DN500 (20")	152	594	515	PN10	111.00
DN600 (24")	178	695	624	PN10	172.00

Item 1	Item 2	Item 3
Body Material	Disc Material	Seat Material
Ductile iron : GGG40 + Epoxy coating	Alubronze C954	EPDM

Belven N.V.

Blokhuisstraat 24 | 2800 Mechelen | Belgium

Tel. 015 29 40 70 | Fax. 015 20 14 13 | info@belven.com | www.belven.com

We keep the right to change the mentioned dimensions, weights, values and materials at any time without prior or direct notice.