

Technical Product Sheet



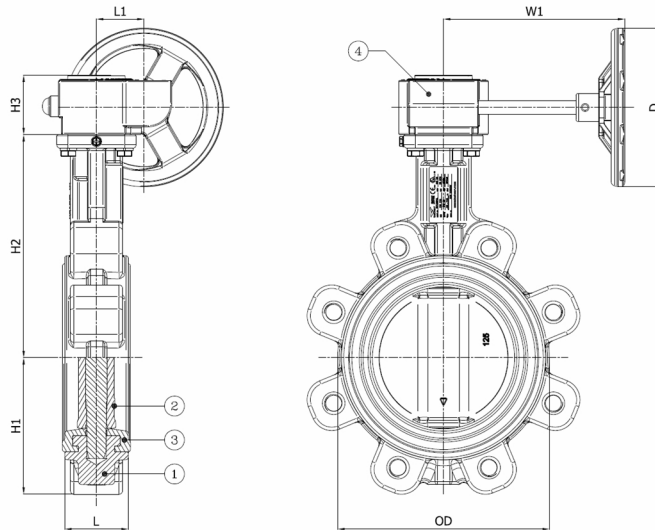
BV12NPA-2466E-PN10/PN16 - Aluminium Gearbox

Lug type butterfly valve, mounting between flanges PN10/PN16, with aluminium gearbox

Face to Face Standard: EN 558-1 Table 1 series 20



Item Number	Belven Ref.
12HCD226E5A0050	BV12NPA-2466E-PN16-DN050 - ALU GEARBOX
12HCD226E5A0065	BV12NPA-2466E-PN16-DN065 - ALU GEARBOX
12HCD226E5A0080	BV12NPA-2466E-PN16-DN080 - ALU GEARBOX
12HCD226E5A0100	BV12NPA-2466E-PN16-DN100 - ALU GEARBOX
12HCD226E5A0125	BV12NPA-2466E-PN16-DN125 - ALU GEARBOX
12HCD226E5A0150	BV12NPA-2466E-PN16-DN150 - ALU GEARBOX



DN/Size	L	H1	H2	H3	OD	L1	D	W1	Press.Cl.	Weight(kg)
DN050 (2")	43	65	143	50	96	42	140	160	PN16	4.60
DN065 (2 1/2")	46	71	155	50	110	42	140	160	PN16	5.20
DN080 (3")	46	77	162	50	124	42	140	160	PN16	5.70
DN100 (4")	52	107	181	50	148	42	140	160	PN16	8.80
DN125 (5")	56	122	197	50	180	42	140	160	PN16	9.70
DN150 (6")	56	150	210	50	206	42	140	160	PN16	11.60

Item 1	Item 2	Item 3	Item 4
Body Material	Seat Material	Disc Material	Actuator Material
Ductile iron : GGG40 + Epoxy coating	EPDM	Stainless steel : CF8M	Aluminium

Belven N.V.

Blokhuisstraat 24 | 2800 Mechelen | Belgium

Tel. 015 29 40 70 | Fax. 015 20 14 13 | info@belven.com | www.belven.com

We keep the right to change the mentioned dimensions, weights, values and materials at any time without prior or direct notice.