

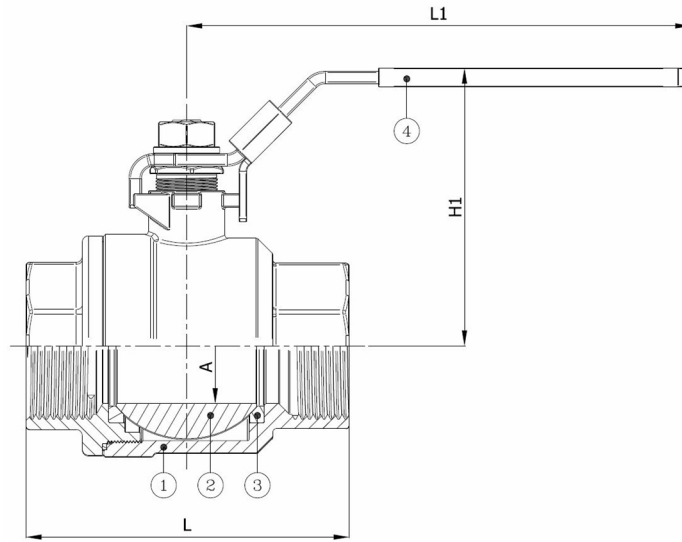
Technical Product Sheet

BV2-2466T-LD-NPT

Ball valve with 2-pce body, full bore, NPT threaded F/F ANSI B2.1, with lockable lever
Face to Face Standard: Factory standard



Item Number	Belven Ref.
026356T1008-A	BV2-2466T-LD-NPT - 1/4" - LEVER
026356T1010-A	BV2-2466T-LD-NPT - 3/8" - LEVER
026356T1015-A	BV2-2466T-LD-NPT - 1/2" - LEVER
026356T1020-A	BV2-2466T-LD-NPT - 3/4" - LEVER
026356T1025-A	BV2-2466T-LD-NPT - 1" - LEVER
026356T1032-A	BV2-2466T-LD-NPT - 1 1/4" - LEVER
026356T1040-A	BV2-2466T-LD-NPT - 1 1/2" - LEVER
026356T1050-A	BV2-2466T-LD-NPT - 2" - LEVER



DN/Size	L	H1	A	L1	Press.Cl.	Weight(kg)
DN008 (1/4")	49,2	41,4	10	80	1000 WOG	0.16
DN010 (3/8")	49,2	41,4	12,5	80	1000 WOG	0.15
DN015 (1/2")	59	45	15	80	1000 WOG	0.22
DN020 (3/4")	68,6	54,7	20	100	1000 WOG	0.37
DN025 (1")	78,6	65,3	24,5	125	1000 WOG	0.61
DN032 (1 1/4")	93,2	70,9	32	125	1000 WOG	0.96
DN040 (1 1/2")	103,1	84	38	160	1000 WOG	1.50
DN050 (2")	123,3	93,3	50	160	1000 WOG	2.55

Item 1	Item 2	Item 3	Item 4
Body Material	Ball Material	Seat Material	Actuator Material
Carbon steel : A216 WCB	Stainless steel : A351 CF8/A182-F304	PTFE	Stainless steel : AISI 201 (EN1.4372)

Belven N.V.

Blokhuisstraat 24 | 2800 Mechelen | Belgium
Tel. 015 29 40 70 | Fax. 015 20 14 13 | info@belven.com | www.belven.com

We keep the right to change the mentioned dimensions, weights, values and materials at any time without prior or direct notice.