

Technical Product Sheet



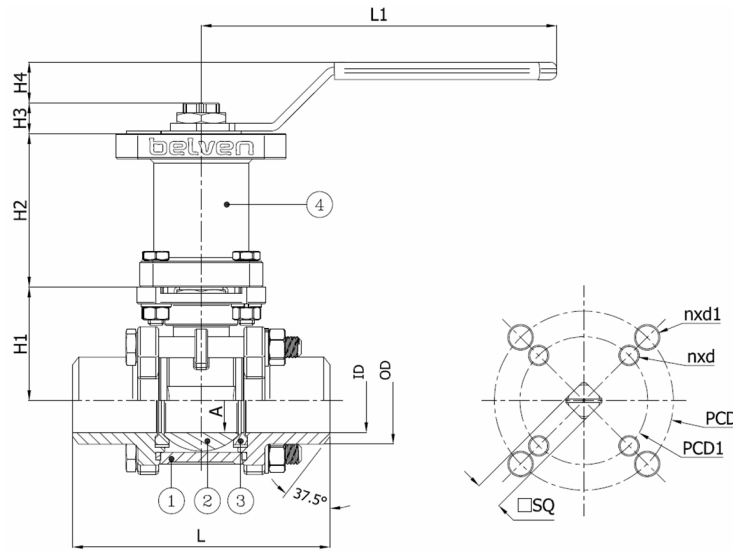
BV3M3-2466T-BW - DSTE with Lever

Ball valve with 3-pce body, full bore, welding ends BW ASME B16.25 Sched.40, ISO 5211 high top flange, incl. stainless steel stem extension with protective tube and lockable lever

Face to Face Standard: DIN 3202-2 S13



Item Number	Belven Ref.
03M36856T1S008	BV3M3-2466T-BW - 1/4" - DSTE-LEVER
03M36856T1S010	BV3M3-2466T-BW - 3/8" - DSTE-LEVER
03M36856T1S015	BV3M3-2466T-BW - 1/2" - DSTE-LEVER
03M36856T1S020	BV3M3-2466T-BW - 3/4" - DSTE-LEVER
03M36856T1S025	BV3M3-2466T-BW - 1" - DSTE-LEVER
03M36856T1S032	BV3M3-2466T-BW - 1 1/4" - DSTE-LEVER
03M36856T1S040	BV3M3-2466T-BW - 1 1/2" - DSTE-LEVER
03M36856T1S050	BV3M3-2466T-BW - 2" - DSTE-LEVER



DN/Size	L	H1	H2	H3	H4	A	I	L1	OD	SQ	ISO	PCD	n x d1	PCD1	ISO1	n x d	Press.Cl.	Weight(kg)
DN008 (1/4")	55	36	58	9,6	15,5	11,6	11,6	112	18,1	9	F05	50				4 x 7	1000 WOG	1.30
DN010 (3/8")	60	36	58	9,6	15,5	12,8	12,8	112	18,1	9	F05	50				4 x 7	1000 WOG	1.30
DN015 (1/2")	75	38	58	9,6	15,5	15	15	112	21,7	9	F05	50				4 x 7	1000 WOG	1.40
DN020 (3/4")	90	41,7	60	11,6	17,3	20	20	138	27,2	11	F05	50	4 x 9	70	F07	4 x 7	1000 WOG	1.60
DN025 (1")	100	44,4	60	11,6	17,3	25	25	138	34	11	F05	50	4 x 9	70	F07	4 x 7	1000 WOG	1.80
DN032 (1 1/4")	110	52,8	60	11,2	24,4	32	32	205	42,7	14	F07	70				4 x 9	1000 WOG	2.70
DN040 (1 1/2")	125	58,5	60	11,2	24,4	38	38	205	48,6	14	F07	70				4 x 9	1000 WOG	3.40
DN050 (2")	150	66	60	11,2	24,4	50	50	205	60,5	14	F07	70				4 x 9	1000 WOG	4.60

Item 1	Item 2	Item 3	Item 4
Body Material	Ball Material	Seat Material	Actuator Material
Carbon steel : A216 WCB	Stainless steel : A351 CF8	PTFE	stainless steel AISI 316

Belven N.V.

Blokhuistraat 24 | 2800 Mechelen | Belgium
 Tel. 015 29 40 70 | Fax. 015 20 14 13 | info@belven.com | www.belven.com

We keep the right to change the mentioned dimensions, weights, values and materials at any time without prior or direct notice.