

## BV12S-2466VB-PN10 - Hendel

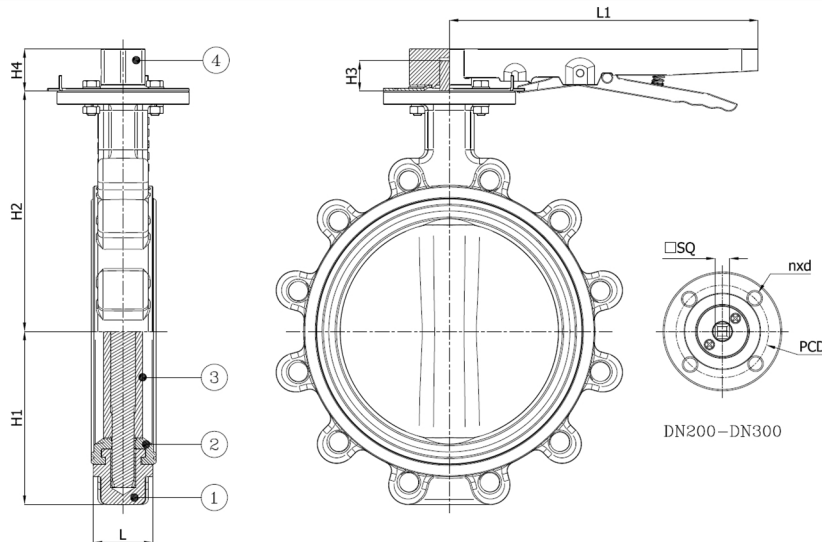
Lug type vlinderklep, te monteren tussen flenzen PN10, met vergrendelbare hendel

Norm Bouwlengte: EN 558-1 Tabel 1 serie 20

Zitting uit FPM (Viton BIO), geschikt voor stoom, biodiesel, zuren..., max. werkdruk 16 bar, -5°C tot 200°C



| Artikelnummer    | Belven Ref.                     |
|------------------|---------------------------------|
| 12S002047VB10200 | BV12S-2466VB-PN10-DN200 - LEVER |
| 12S002047VB10250 | BV12S-2466VB-PN10-DN250 - LEVER |
| 12S002047VB10300 | BV12S-2466VB-PN10-DN300 - LEVER |



| DN/Inch     | L  | H1  | H2    | H3   | H4 | L1  | SQ | ISO | PCD | n x d1  | Drukkl. | Gewicht(kg) |
|-------------|----|-----|-------|------|----|-----|----|-----|-----|---------|---------|-------------|
| DN200 (8")  | 60 | 165 | 243,5 | 34,5 | 45 | 350 | 17 | F10 | 102 | 4 x d12 | PN10    | 21,50       |
| DN250 (10") | 68 | 202 | 273   | 34,5 | 45 | 350 | 22 | F10 | 102 | 4 x d12 | PN10    | 32,00       |
| DN300 (12") | 78 | 235 | 311   | 34,5 | 45 | 350 | 27 | F12 | 125 | 4 x d14 | PN10    | 50,50       |

| Item 1                                     | Item 2                   | Item 3                    | Item 4                     |
|--|--------------------------|---------------------------|----------------------------|
| <b>Materiaal Huis</b>                      | <b>Materiaal Zitting</b> | <b>Materiaal Klepblad</b> | <b>Materiaal Bediening</b> |
| Nodulair gietijzer : GGG40 + Epoxy coating | FPM-BIO                  | Roestvrijstaal : CF8M     | Gietijzer                  |