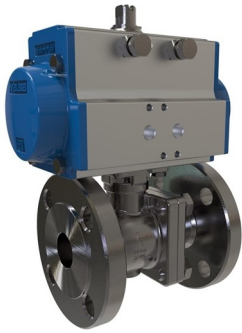


Technical Product Sheet

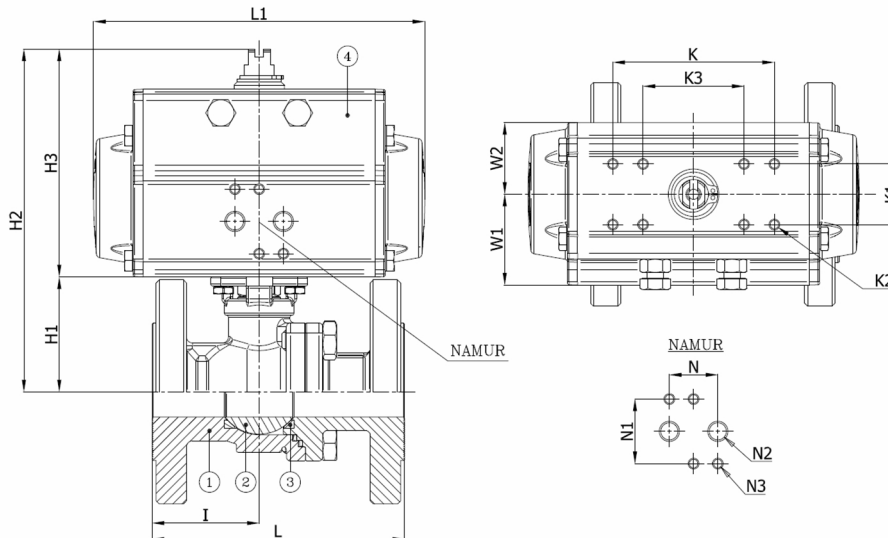
BV4S-6666T-PN10/PN16/PN40 - Single Acting (AFC)

Ball valve, full bore, split body, flanged PN10/PN16/PN40, with spring return actuator AFC
Face to Face Standard: EN 558-1 series 27

The actuator is selected for 25°C water with a pressure drop of 16 bar with 6 bar supply air pressure and minimum 1 cycle per week, at air pressure failure the springs will put the valve in closed position



Item Number	Belven Ref.
04S3D77SR2025	BV4S-6666T-PN40-DN025 - SR063
04S3D77SR2032	BV4S-6666T-PN40-DN032 - SR063
04S3D77SR2040	BV4S-6666T-PN40-DN040 - SR063
04S3D77SR2050	BV4S-6666T-PN40-DN050 - SR100



DN/Size	L	H1	H2	H3	I	L1	W1	W2	K	K1	K2	N	N1	N2	N3	Press.Cl.	Weight(kg)
DN025 (1")	125	58	171	113	53	164	45	35,5	80	30	M5	24	32	1/8"	M5	PN40	5.67
DN032 (1 1/4")	130	71	184	113	55	164	45	35,5	80	30	M5	24	32	1/8"	M5	PN40	6.97
DN040 (1 1/2")	140	80	193	113	52	164	45	35,5	80	30	M5	24	32	1/8"	M5	PN40	8.67
DN050 (2")	150	89,5	247,3	157,8	57,5	275	68	55	80	30	M5	24	32	1/4"	M5	PN40	16.30

Item 1	Item 2	Item 3	Item 4
Body Material	Ball Material	Seat Material	Actuator Material
Stainless steel : 1.4408 (CF8M)	Stainless steel : A182-F316/A351-CF8M	PTFE	Extruded aluminium

Belven N.V.

Blokhuisstraat 24 | 2800 Mechelen | Belgium
Tel. 015 29 40 70 | Fax. 015 20 14 13 | info@belven.com | www.belven.com

We keep the right to change the mentioned dimensions, weights, values and materials at any time without prior or direct notice.