

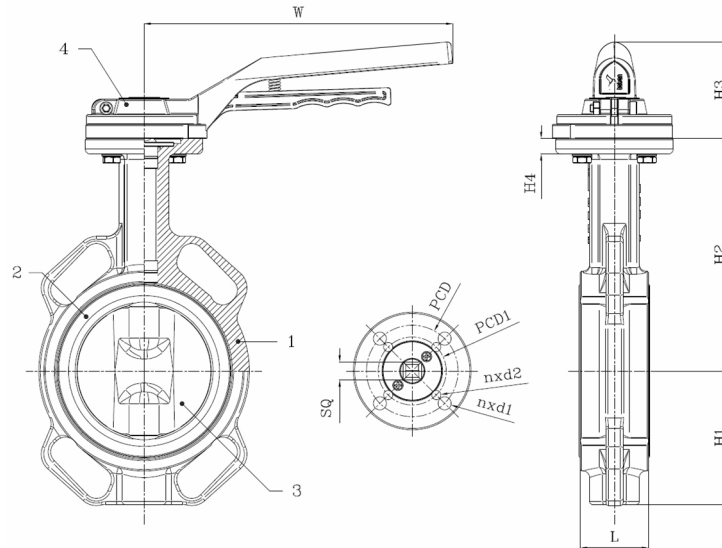
Technical Product Sheet

BV10-2325E-PN10/PN16/A150 - Aluminium Lever

Wafer type butterfly valve, mounting between flanges PN6/PN10/PN16/A150, with aluminium lever
Face to Face Standard: EN 558-1 Table 1 series 20



Item Number	Belven Ref.
101023E1A050	BV10-2325E-PN16-DN050 - ALU LEVER
101023E1A065	BV10-2325E-PN16-DN065 - ALU LEVER
101023E1A080	BV10-2325E-PN16-DN080 - ALU LEVER
101023E1A100	BV10-2325E-PN16-DN100 - ALU LEVER
101023E1A125	BV10-2325E-PN16-DN125 - ALU LEVER
101023E1A150	BV10-2325E-PN16-DN150 - ALU LEVER



DN/Size	L	H1	H2	H3	L1	SQ	ISO	PCD	n x d1	PCD1	n x d2	Press.Cl.	Weight(kg)
DN050 (2")	43	71,4	142,7	65	210	11	F05/F07	70	4 x d10	50	4 x d7	PN16	3.00
DN065 (2 1/2")	46	77,8	155,4	65	210	11	F05/F07	70	4 x d10	50	4 x d7	PN16	3.50
DN080 (3")	46	89	161,8	65	210	11	F05/F07	70	4 x d10	50	4 x d7	PN16	3.80
DN100 (4")	52	102	178	65	210	14	F07	70	4 x d10			PN16	4.90
DN125 (5")	56	123	190,5	65	210	14	F07	70	4 x d10			PN16	6.80
DN150 (6")	56	138	205,2	65	210	14	F07	70	4 x d10			PN16	8.20

Item 1	Item 2	Item 3	Item 4
Body Material	Seat Material	Disc Material	Actuator Material
Cast iron : GG25 + Epoxy coating	EPDM	Nickel plated : GGG40 + Ni	Aluminium

Belven N.V.

Blokhuisstraat 24 | 2800 Mechelen | Belgium
Tel. 015 29 40 70 | Fax. 015 20 14 13 | info@belven.com | www.belven.com

We keep the right to change the mentioned dimensions, weights, values and materials at any time without prior or direct notice.