

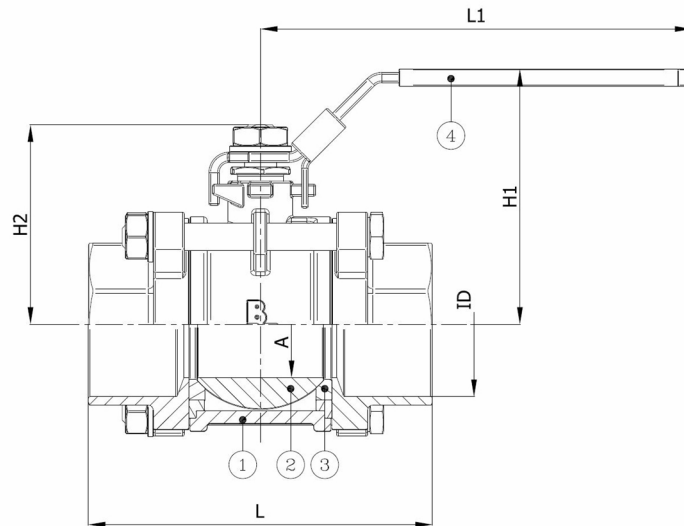
Technical Product Sheet

BV3-6666T-LD-SW

Ball valve with 3-pce body, full bore, SW welding sockets DIN 3239-2, with lockable lever
Face to Face Standard: Factory standard



Item Number	Belven Ref.
036977T1015-A	BV3-6666T-LD-SW - 1/2" - LEVER
036977T1020-A	BV3-6666T-LD-SW - 3/4" - LEVER
036977T1025-A	BV3-6666T-LD-SW - 1" - LEVER
036977T1032-A	BV3-6666T-LD-SW - 1 1/4" - LEVER
036977T1040-A	BV3-6666T-LD-SW - 1 1/2" - LEVER
036977T1050-A	BV3-6666T-LD-SW - 2" - LEVER
036977T1065-A	BV3-6666T-LD-SW - 2 1/2" - LEVER
036977T1080-A	BV3-6666T-LD-SW - 3" - LEVER
036977T1100-A	BV3-6666T-LD-SW - 4" - LEVER



DN/Size	L	H1	H2	A	L1	ID	SW	Press.Cl.	Weight(kg)
DN015 (1/2")	65	57,5	38,4	15	80	22	22	1000 WOG	0.34
DN020 (3/4")	75	62,5	42,5	20	100	27,5	27,5	1000 WOG	0.58
DN025 (1")	85	72	50,2	24,5	125	34,5	34,5	1000 WOG	0.88
DN032 (1 1/4")	100	78,3	56,5	32	125	43	43	1000 WOG	1.30
DN040 (1 1/2")	110	88,6	68,7	38	160	49	49	1000 WOG	2.02
DN050 (2")	130	101,4	81,5	50	160	61,5	61,5	1000 WOG	3.27
DN065 (2 1/2")	168	130,6	113	65	230	74	74	1000 WOG	8.92
DN080 (3")	204	148,8	126,9	76,2	300	90	90	1000 WOG	15.18
DN100 (4")	217	174,25	137,3	100	400	115,6	115,6	1000 WOG	23.88

Item 1	Item 2	Item 3	Item 4
Body Material	Ball Material	Seat Material	Actuator Material
Stainless steel : A351 CF8M	Stainless steel : A351 CF8M/A182-F316	PTFE	Stainless steel : AISI 201 (EN1.4372)

Belven N.V.

Blokhuisstraat 24 | 2800 Mechelen | Belgium
Tel. 015 29 40 70 | Fax. 015 20 14 13 | info@belven.com | www.belven.com

We keep the right to change the mentioned dimensions, weights, values and materials at any time without prior or direct notice.