

# Technical Product Sheet

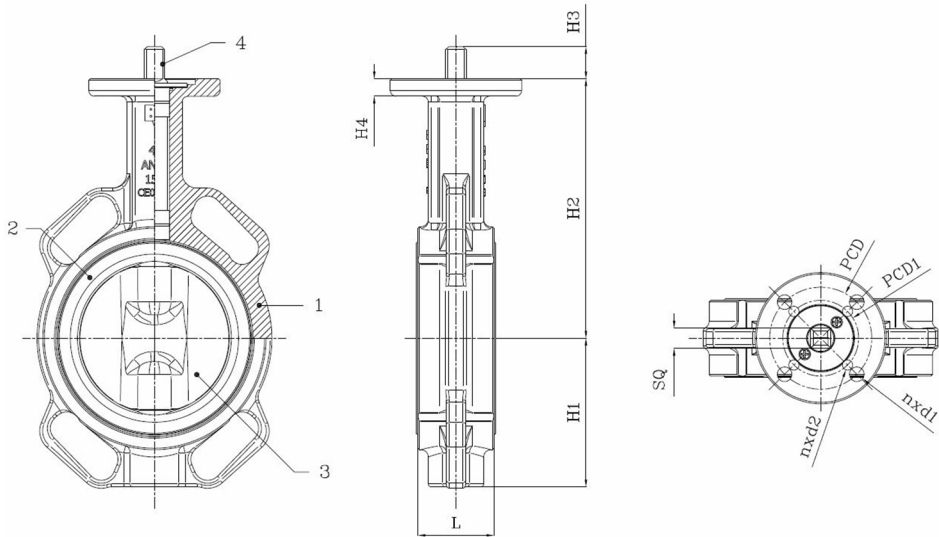
## BV10-2325B-PN10/PN16/A150 - Bare Shaft

Wafer type butterfly valve, mounting between flanges PN10/PN16/A150, bare shaft

Face to Face Standard: EN 558-1 Table 1 series 20



| Item Number | Belven Ref.                        |
|-------------|------------------------------------|
| 101023B0050 | BV10-2325B-PN16-DN050 - BARE SHAFT |
| 101023B0065 | BV10-2325B-PN16-DN065 - BARE SHAFT |
| 101023B0080 | BV10-2325B-PN16-DN080 - BARE SHAFT |
| 101023B0100 | BV10-2325B-PN16-DN100 - BARE SHAFT |
| 101023B0125 | BV10-2325B-PN16-DN125 - BARE SHAFT |
| 101023B0150 | BV10-2325B-PN16-DN150 - BARE SHAFT |
| 101023B0200 | BV10-2325B-PN16-DN200 - BARE SHAFT |
| 101023B0250 | BV10-2325B-PN16-DN250 - BARE SHAFT |
| 101023B0300 | BV10-2325B-PN16-DN300 - BARE SHAFT |



| DN/Size        | L  | H1    | H2    | H3   | H4 | SQ | ISO     | PCD | n x d1  | n x d2 | PCD1 | Press.Cl. | Weight(kg) |
|----------------|----|-------|-------|------|----|----|---------|-----|---------|--------|------|-----------|------------|
| DN050 (2")     | 43 | 71,4  | 142,7 | 22   | 12 | 11 | F05/F07 | 70  | 4 x d10 | 4 x d7 | 50   | PN16      | 2.60       |
| DN065 (2 1/2") | 46 | 77,8  | 155,4 | 22   | 12 | 11 | F05/F07 | 70  | 4 x d10 | 4 x d7 | 50   | PN16      | 3.10       |
| DN080 (3")     | 46 | 89    | 161,8 | 22   | 12 | 11 | F05/F07 | 70  | 4 x d10 | 4 x d7 | 50   | PN16      | 3.40       |
| DN100 (4")     | 52 | 102   | 178   | 22   | 12 | 14 | F07     | 70  | 4 x d10 |        |      | PN16      | 4.50       |
| DN125 (5")     | 56 | 123   | 190,5 | 22   | 12 | 14 | F07     | 70  | 4 x d10 |        |      | PN16      | 6.40       |
| DN150 (6")     | 56 | 138   | 205,2 | 22   | 12 | 14 | F07     | 70  | 4 x d10 |        |      | PN16      | 7.80       |
| DN200 (8")     | 60 | 168   | 237   | 34,5 | 16 | 17 | F10     | 102 | 4 x d12 |        |      | PN16      | 14.10      |
| DN250 (10")    | 68 | 207   | 268,3 | 34,5 | 16 | 22 | F10     | 102 | 4 x d12 |        |      | PN16      | 19.20      |
| DN300 (12")    | 78 | 243,5 | 308,5 | 34,5 | 16 | 27 | F12     | 125 | 4 x d14 |        |      | PN16      | 29.20      |

| Item 1                           | Item 2        | Item 3                     | Item 4            |
|----------------------------------|---------------|----------------------------|-------------------|
| Body Material                    | Seat Material | Disc Material              | Actuator Material |
| Cast iron : GG25 + Epoxy coating | NBR           | Nickel plated : GGG40 + Ni | SS Stem AISI 416  |

Belven N.V.

Blokhuisstraat 24 | 2800 Mechelen | Belgium  
 Tel. 015 29 40 70 | Fax. 015 20 14 13 | info@belven.com | www.belven.com

We keep the right to change the mentioned dimensions, weights, values and materials at any time without prior or direct notice.