

Technical Product Sheet

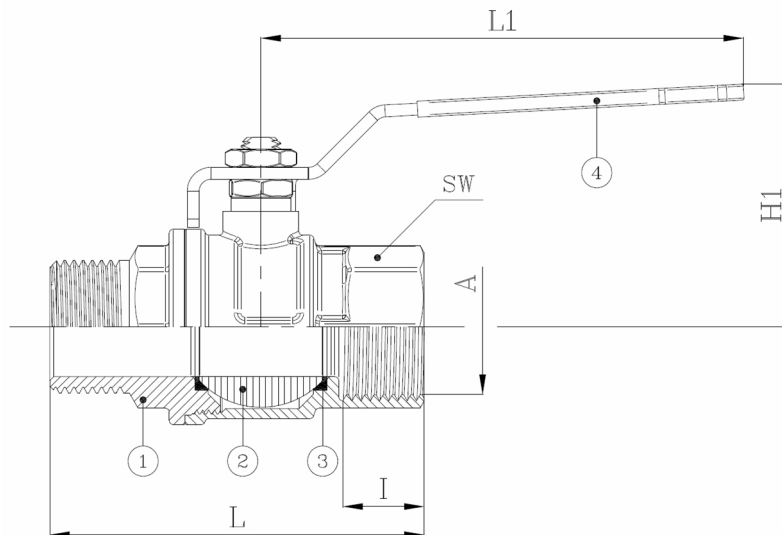
BV2-1711-BSP (M/F)

Brass 2-way ball valve, full bore, threaded M/F ISO 7/1 Rp/R, with lever

Face to Face Standard: Factory standard



| Item Number | Belven Ref. |
|-------------|------------------------------------|
| 024211T1008 | BV2-1711-BSP(M/F) - 1/4" - LEVER |
| 024211T1010 | BV2-1711-BSP(M/F) - 3/8" - LEVER |
| 024211T1015 | BV2-1711-BSP(M/F) - 1/2" - LEVER |
| 024211T1020 | BV2-1711-BSP(M/F) - 3/4" - LEVER |
| 024211T1025 | BV2-1711-BSP(M/F) - 1" - LEVER |
| 024211T1032 | BV2-1711-BSP(M/F) - 1 1/4" - LEVER |
| 024211T1040 | BV2-1711-BSP(M/F) - 1 1/2" - LEVER |
| 024211T1050 | BV2-1711-BSP(M/F) - 2" - LEVER |
| 024211T1065 | BV2-1711-BSP(M/F) - 2 1/2" - LEVER |
| 024211T1080 | BV2-1711-BSP(M/F) - 3" - LEVER |
| 024211T1100 | BV2-1711-BSP(M/F) - 4" - LEVER |



| DN/Size | L | H1 | A | I | L1 | SW | Press.Cl. | Weight(kg) |
|----------------|-------|-----|-----|------|-----|-----|-----------|------------|
| DN008 (1/4") | 59 | 43 | 10 | 11 | 95 | 20 | PN64 | 0.15 |
| DN010 (3/8") | 59,5 | 43 | 10 | 11,4 | 95 | 20 | PN64 | 0.15 |
| DN015 (1/2") | 72,5 | 47 | 15 | 15 | 95 | 25 | PN64 | 0.23 |
| DN020 (3/4") | 81,5 | 59 | 20 | 16,3 | 12 | 31 | PN50 | 0.39 |
| DN025 (1") | 94,5 | 63 | 25 | 19,1 | 120 | 38 | PN50 | 0.57 |
| DN032 (1 1/4") | 111 | 76 | 32 | 21,4 | 150 | 48 | PN50 | 0.97 |
| DN040 (1 1/2") | 119 | 82 | 40 | 21,4 | 150 | 54 | PN40 | 1.33 |
| DN050 (2") | 141,5 | 95 | 50 | 25,7 | 160 | 67 | PN40 | 2.06 |
| DN065 (2 1/2") | 175 | 122 | 65 | 30,2 | 205 | 90 | PN25 | 4.14 |
| DN080 (3") | 203,5 | 133 | 80 | 33,3 | 205 | 105 | PN25 | 6.36 |
| DN100 (4") | 250 | 166 | 100 | 39,3 | 260 | 130 | PN25 | 11.88 |

| Item 1 | Item 2 | Item 3 | Item 4 |
|-----------------------------|-----------------------------|---------------|-------------------|
| Body Material | Ball Material | Seat Material | Actuator Material |
| Brass : CW617N UNI EN 12420 | Brass : CW617N UNI EN 12165 | PTFE | Carbon steel CLO4 |

Belven N.V.

Blokhuisstraat 24 | 2800 Mechelen | Belgium

Tel. 015 29 40 70 | Fax. 015 20 14 13 | info@belven.com | www.belven.com

We keep the right to change the mentioned dimensions, weights, values and materials at any time without prior or direct notice.