

Technical Product Sheet



BV3M3-2466T-NPT - Single Acting (AFC)

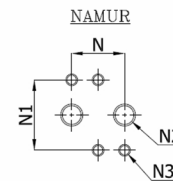
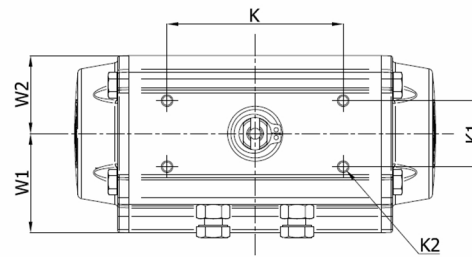
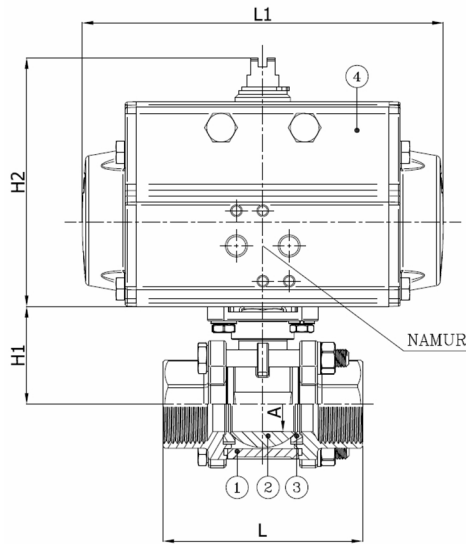
Ball valve with 3-pce body, full bore, NPT threaded F/F ANSI B2.1, with with spring return actuator AFC

Face to Face Standard: DIN 3202-4 M3

The actuator is selected for 20°C water with a pressure drop of 6 bar with 6 bar supply air pressure and minimum 1 cycle per week, at air pressure failure the springs will put the valve in closed position



Item Number	Belven Ref.
03M36356TSR2008	BV3M3-2466T-NPT - 1/4" - SR052
03M36356TSR2010	BV3M3-2466T-NPT - 3/8" - SR052
03M36356TSR2015	BV3M3-2466T-NPT - 1/2" - SR052
03M36356TSR2020	BV3M3-2466T-NPT - 3/4" - SR063
03M36356TSR2025	BV3M3-2466T-NPT - 1" - SR063
03M36356TSR2032	BV3M3-2466T-NPT - 1 1/4" - SR075
03M36356TSR2040	BV3M3-2466T-NPT - 1 1/2" - SR075
03M36356TSR2050	BV3M3-2466T-NPT - 2" - SR085



DN/Size	L	H1	H2	A	L1	W1	W2	K	K1	K2	N	N1	N2	N3	Press.Cl.	Weight(kg)
DN008 (1/4")	55	36	101,5	11,6	141	41	30	80	30	M5	24	32	1/8"	M5	1000 WOG	1.90
DN010 (3/8")	60	36	101,5	12,8	141	41	30	80	30	M5	24	32	1/8"	M5	1000 WOG	1.90
DN015 (1/2")	75	38	101,5	15	141	41	30	80	30	M5	24	32	1/8"	M5	1000 WOG	1.95
DN020 (3/4")	80	41,7	113	20	164	45	35,5	80	30	M5	24	32	1/8"	M5	1000 WOG	3.02
DN025 (1")	90	44,4	113	25	164	45	35,5	80	30	M5	24	32	1/8"	M5	1000 WOG	3.28
DN032 (1 1/4")	110	52,8	131	32	210	52,5	42	80	30	M5	24	32	1/8"	M5	1000 WOG	5.30
DN040 (1 1/2")	120	58,5	131	38	210	52,5	42	80	30	M5	24	32	1/8"	M5	1000 WOG	5.90
DN050 (2")	140	66	145	50	240,5	58,5	47,5	80	30	M5	24	32	1/8"	M5	1000 WOG	8.50

Item 1	Item 2	Item 3	Item 4
Body Material	Ball Material	Seat Material	Actuator Material
Carbon steel : A216 WCB	Stainless steel : A351 CF8	PTFE	Extruded aluminium

Belven N.V.

Blokhuisstraat 24 | 2800 Mechelen | Belgium

Tel. 015 29 40 70 | Fax. 015 20 14 13 | info@belven.com | www.belven.com

We keep the right to change the mentioned dimensions, weights, values and materials at any time without prior or direct notice.