

Technical Product Sheet

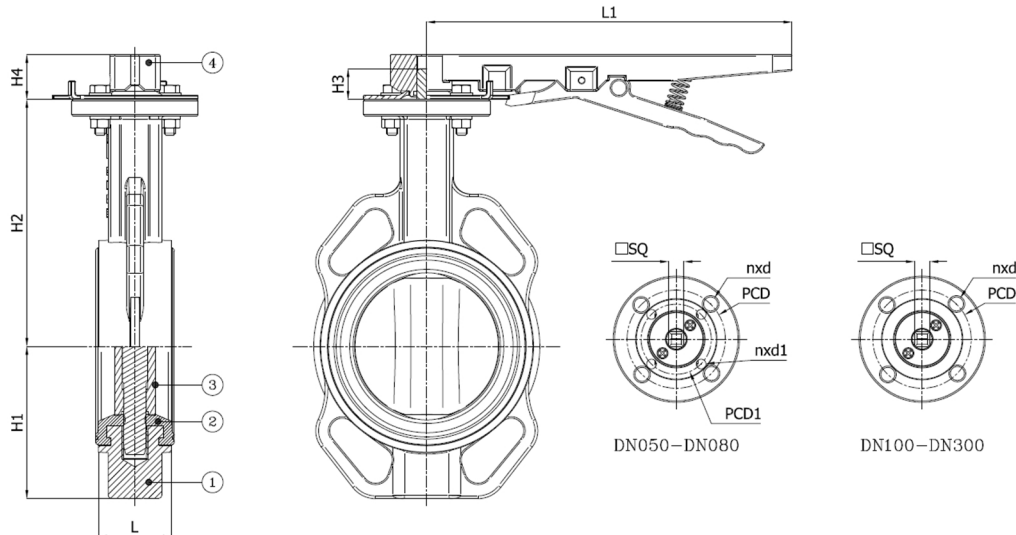
BV10S-2325S-PN10/PN16/A150 - Lever - Max. 6 bar

Wafer type butterfly valve, mounting between flanges PN10/PN16/A150, with lockable lever
Face to Face Standard: EN 558-1 Table 1 series 20

Seat made of steam silicone, suitable for steam water, max. operating pressure 6 bar, -55°C to 160°C



| Item Number | Belven Ref. |
|-----------------|--------------------------------|
| 10S003034S10050 | BV10S-2325S-PN16-DN050 - LEVER |
| 10S003034S10065 | BV10S-2325S-PN16-DN065 - LEVER |
| 10S003034S10080 | BV10S-2325S-PN16-DN080 - LEVER |
| 10S003034S10100 | BV10S-2325S-PN16-DN100 - LEVER |
| 10S003034S10125 | BV10S-2325S-PN16-DN125 - LEVER |
| 10S003034S10150 | BV10S-2325S-PN16-DN150 - LEVER |
| 10S003034S10200 | BV10S-2325S-PN16-DN200 - LEVER |
| 10S003034S10250 | BV10S-2325S-PN16-DN250 - LEVER |
| 10S003034S10300 | BV10S-2325S-PN16-DN300 - LEVER |



| DN/Size | L | H1 | H2 | H3 | H4 | L1 | SQ | ISO | PCD | n x d1 | PCD1 | ISO1 | n x d | Press.Cl. | Weight(kg) |
|----------------|----|-------|-------|------|----|-----|----|-----|-----|---------|------|------|--------|-----------|------------|
| DN050 (2") | 43 | 64 | 140,5 | 22 | 29 | 260 | 11 | F05 | 50 | 4 x d10 | 70 | F07 | 4 x d7 | 6 bar | 4.00 |
| DN065 (2 1/2") | 46 | 71,4 | 152,5 | 22 | 29 | 260 | 11 | F05 | 50 | 4 x d10 | 70 | F07 | 4 x d7 | 6 bar | 4.70 |
| DN080 (3") | 46 | 94 | 157,5 | 22 | 29 | 260 | 11 | F05 | 50 | 4 x d10 | 70 | F07 | 4 x d7 | 6 bar | 5.10 |
| DN100 (4") | 52 | 108,5 | 176 | 22 | 29 | 260 | 14 | F07 | 70 | 4 x d10 | | | | 6 bar | 6.60 |
| DN125 (5") | 56 | 119 | 191 | 22 | 29 | 260 | 14 | F07 | 70 | 4 x d10 | | | | 6 bar | 8.40 |
| DN150 (6") | 56 | 136 | 202,5 | 22 | 29 | 260 | 14 | F07 | 70 | 4 x d10 | | | | 6 bar | 9.90 |
| DN200 (8") | 60 | 165 | 243,5 | 34,5 | 45 | 350 | 17 | F10 | 102 | 4 x d12 | | | | 6 bar | 18.50 |
| DN250 (10") | 68 | 202 | 273 | 34,5 | 45 | 350 | 22 | F10 | 102 | 4 x d12 | | | | 6 bar | 25.00 |
| DN300 (12") | 78 | 235 | 311 | 34,5 | 45 | 350 | 27 | F12 | 125 | 4 x d14 | | | | 6 bar | 36.00 |

| Item 1 | Item 2 | Item 3 | Item 4 |
|----------------------------------|----------------|----------------------------|-------------------|
| Body Material | Seat Material | Disc Material | Actuator Material |
| Cast iron : GG25 + Epoxy coating | Steam Silicone | Nickel plated : GGG40 + Ni | Malleable iron |

Belven N.V.

Blokhuisstraat 24 | 2800 Mechelen | Belgium
Tel. 015 29 40 70 | Fax. 015 20 14 13 | info@belven.com | www.belven.com

We keep the right to change the mentioned dimensions, weights, values and materials at any time without prior or direct notice.